



Data Spec

T8 Lead Screw Nut Plate

This V-Slot Acme Nut Plate is a perfect fit for any integrated acme screw transmission project. It can fit into the hollow inserts of 20x40, 20x60 and 20x80 V-Slot. You can use the self tapping screws to mount these into the end holes of V-Slot rail.



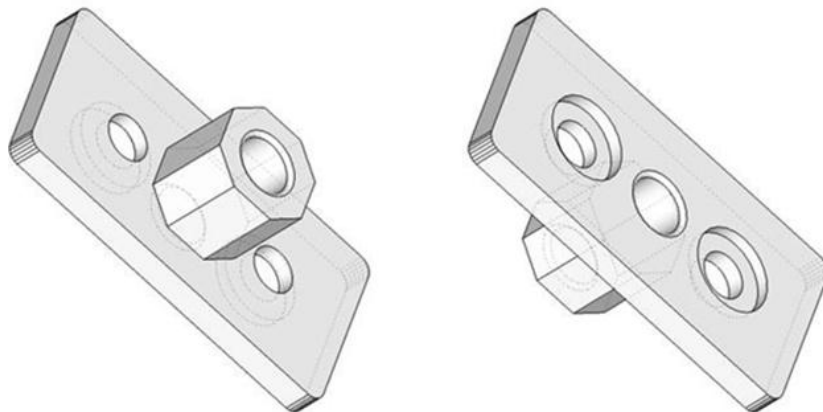
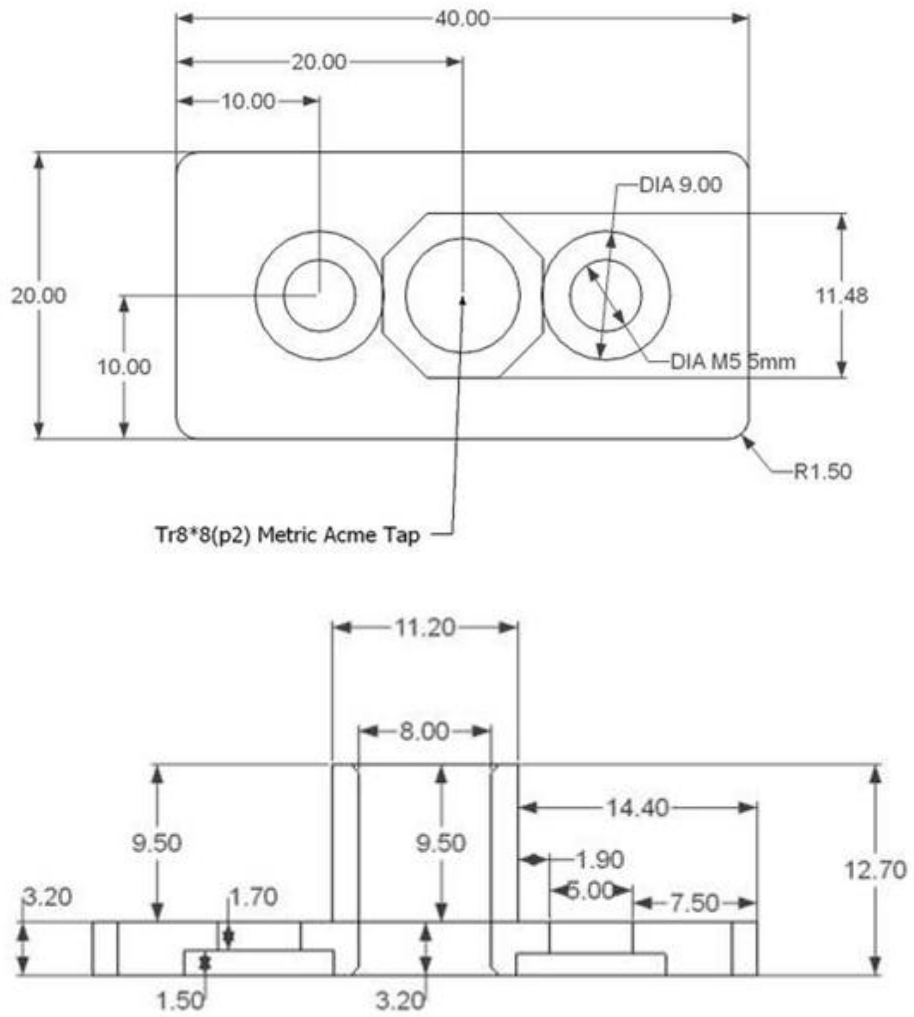
SKU: [MCH-1201](#)

Brief Data:

- Tread Size: Tr8*8(p2) Metric Acme Tap
- Pitch: 2mm.
- Lead: 8mm.
- Material: Delrin.
- Color: Black.

Mechanical Dimension:

Unit: mm.



Application Examples:

