



Data Specs

Universal Zero-Insertion-Force ZIF Socket

This is a high-quality, easy to use 40 pin ZIF socket that is 0.6" wide with gold-plated contacts. Compatible with 0.3" up to 0.6" wide ICs up to 40-pins. Makes for easy connecting or programming many DIP ICs.

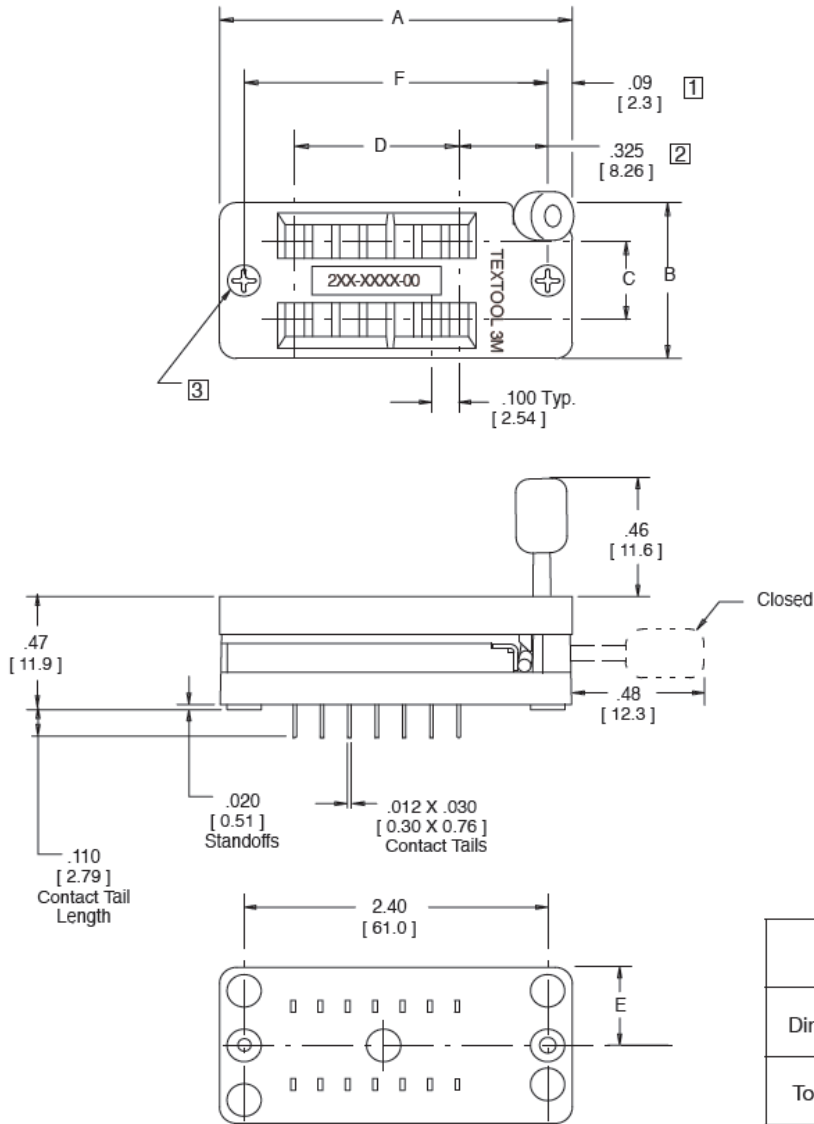


SKU: [CON-1094](#)

Brief Data:

- Product: Zero Insertion Force (ZIF) Sockets.
- Number of Positions: 40 Positions.
- Pitch: 2.54mm.
- Termination Style: Through Hole
- Lever actuated zero insertion force mechanism.
- Contact Material: Beryllium Copper
- Current Rating: 1A
- Flammability Rating: UL94 V-0
- Housing Material: Polysulfone.

Mechanical Dimension:



	Tolerance $\frac{\text{inch}}{\text{(mm)}}$	
Dimension	$\frac{.00}{(.0)}$	$\frac{.000}{(.00)}$
Tolerance	$\frac{\pm .010}{(\pm .25)}$	$\frac{\pm .005}{(\pm .13)}$

Contact Quantity	Device Row Spacing Accepted	Dim A	Dim B	Dim C	Dim D	Dim E	Dim F
14	.17 – .43 [4.3] – [10.9]	1.30 [33.0]	.60 [15.2]	.300 [7.62]	.60 [15.2]	.30 [7.6]	1.11 [28.2]
16	.17 – .43 [4.3] – [10.9]	1.39 [35.3]			.70 [17.8]		1.21 [30.7]
18	.17 – .43 [4.3] – [10.9]	1.49 [37.8]			.80 [20.3]		1.31 [33.3]
20	.17 – .43 [4.3] – [10.9]	1.59 [40.4]			.90 [22.9]		1.41 [35.8]
22	.27 – .53 [6.9] – [13.5]	1.69 [42.9]	.70 [17.8]	.400 [10.16]	1.00 [25.4]	.35 [8.9]	1.51 [38.4]
24	.47 – .73 [11.9] – [18.5]	1.78 [45.3]	.90 [22.9]	.600 [15.25]	1.10 [27.9]	.45 [11.4]	1.61 [40.9]
	.17 – .43 [4.3] – [10.9]	1.79 [45.5]	.60 [15.2]	.300 [7.62]		.30 [7.6]	
28	.47 – .73 [11.9] – [18.5]	1.98 [50.4]	.90 [22.9]	.600 [15.25]	1.30 [33.0]	.45 [11.4]	1.81 [46.0]
	.27 – .53 [6.9] – [13.5]	1.99 [50.5]	.70 [17.8]	.400 [10.16]		.35 [8.9]	1.83 [46.0]
32	.47 – .73 [11.9] – [18.5]	2.19 [55.5]	.90 [22.9]	.600 [15.25]	1.50 [38.1]	.45 [11.4]	2.01 [51.1]
40	.47 – .73 [11.9] – [18.5]	2.58 [65.6]			1.90 [48.3]		2.41 [61.2]
	.87 – 1.13 [22.1] – [28.7]	2.58 [65.5]	1.30 [33.0]	1.000 [25.40]	.65 [16.5]	2.40 [61.0]	
42	.47 – .73 [11.9] – [18.5]	2.68 [68.2]	.90 [22.9]	.600 [15.25]	2.0 [50.8]	.45 [11.4]	2.51 [63.8]
48	.47 – .73 [11.9] – [18.5]	2.98 [75.8]			2.30 [58.4]		2.81 [71.4]
64	.77 – 1.03 [19.8] – [26.2]	3.95 [100.3]			1.30 [33.0]		.900 [22.86]