



Data Specs

2.54mm Pitch Jumper Cap Shorting Link

This series of shorting link with 2.54mm pitch. Each shorting link is designed to mate with 0.6mm² headers with a recommended header length 4.3mm minimum. These 2.54mm closed top shorting links have tin plated phosphor bronze contacts.



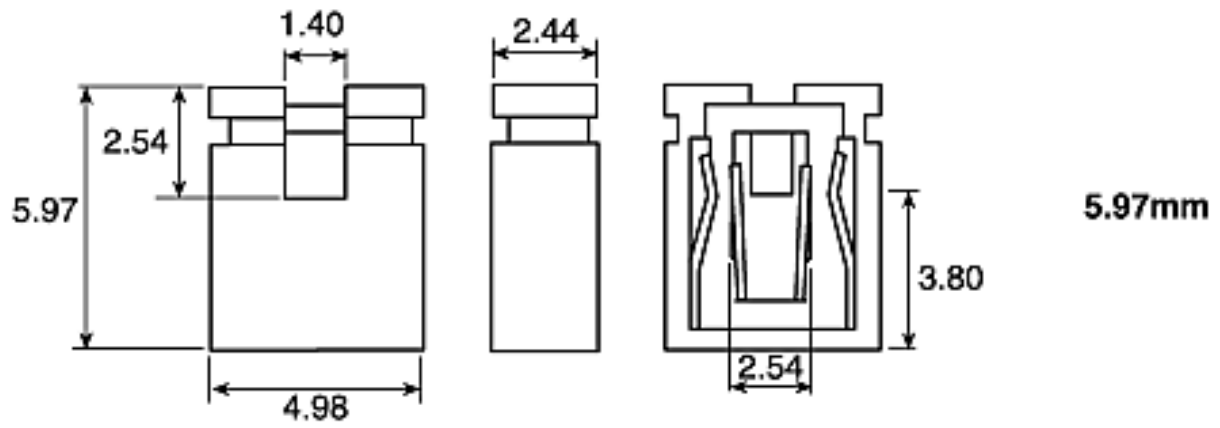
SKU: CON1000

Brief Data:

- Number of Contacts: 1.
- Pitch: 2.54mm.
- Gender: Female.
- Color: Black, Red & Blue.
- Number of Rows: 1.
- Length: 6mm.
- Width: 5mm.
- Depth: 3.8mm.
- Contact Material: Phosphor Bronze.
- Contact Plating: Tin over Nickel.
- Orientation: Straight.
- Maximum Contact Resistance: 30mΩ.

Mechanical Dimension:

Unit: mm





Handsontec.com

We have the parts for your ideas

HandsOn Technology provides a multimedia and interactive platform for everyone interested in electronics. From beginner to diehard, from student to lecturer. Information, education, inspiration and entertainment. Analog and digital, practical and theoretical; software and hardware.



open source
hardware

HandsOn Technology support Open Source Hardware (OSHW) Development Platform.

Learn : Design : Share

handsontec.com



The Face behind our product quality...

In a world of constant change and continuous technological development, a new or replacement product is never far away – and they all need to be tested.

Many vendors simply import and sell without checks and this cannot be the ultimate interests of anyone, particularly the customer. Every part sell on Handsotec is fully tested. So when buying from Handsotec products range, you can be confident you're getting outstanding quality and value.

We keep adding the new parts so that you can get rolling on your next project.



www.handsontec.com

[Breakout Boards & Modules](#)



[Connectors](#)



www.handsontec.com

[Electro-Mechanical Parts](#)



[Engineering Material](#)



www.handsontec.com

[Mechanical Hardware](#)



[Electronics Components](#)

P



www.handsontec.com

[Power Supply](#)



[Arduino Board & Shield](#)

[Tools & Accessory](#)



www.handsontec.com

[Tools & Accessory](#)