



GT2 Metal Pulley 20-Teeth

The GT2 series of belts and pulleys are designed specifically for linear motion. They use a rounded tooth profile that guarantees that the belt tooth fits smoothly and accurately in the pulley groove, so when you reverse the pulley direction, there is no room for the belt to move in the groove. This pulley has 20 teeth with $\varnothing 5\text{mm}$ & $\varnothing 6.35\text{mm}$ inner bore. Two set screws can be used to attach it firmly to any $\varnothing 5\text{mm}/\varnothing 6.35\text{mm}$ diameter shaft such as one of our stepper motors. Full aluminum construction means these are very light and very durable.



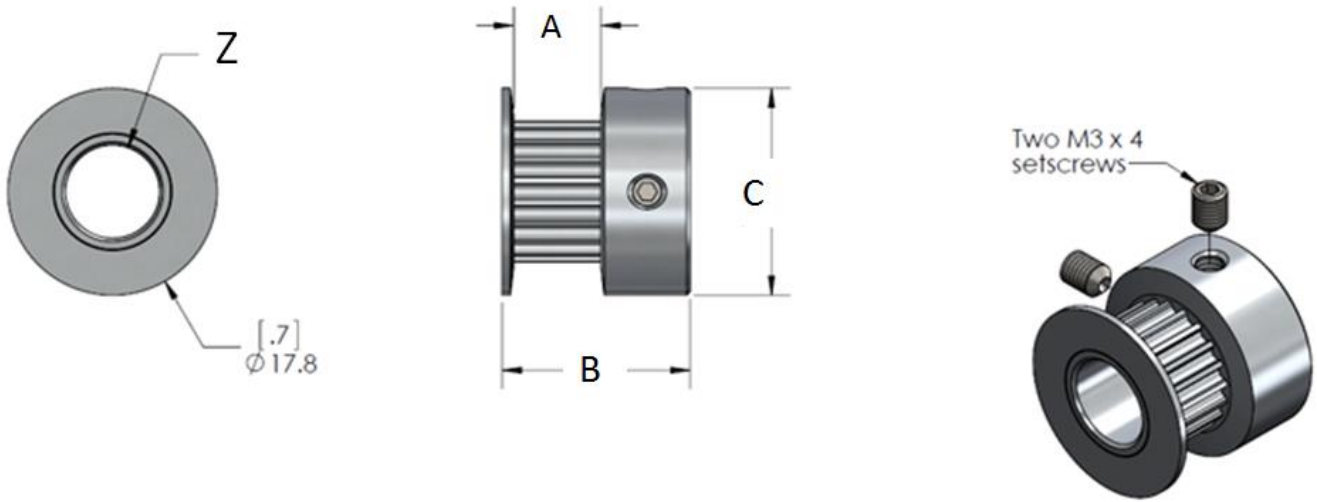
SKU: [MCH1013](#), [MCH1147](#)

Brief Data:

- Number of Teeth: 20.
- Bore: $\varnothing 5.00\text{mm}$, $\varnothing 6.35\text{mm}$.
- Flange: Dual.
- Pitch: 2mm.
- Belt Width: 6~10mm.
- Material: Full Aluminum Alloy.

Mechanical Dimension:

Unit: mm



Model	A	B	C	Z	SKU
GT2-PL-20T-06	7	16	16	Ø 5.00	MCH1013
GT2-PL-20T-10	11	19.50	16	Ø 6.35	MCH1147



Handsontec.com

We have the parts for your ideas

HandsOn Technology provides a multimedia and interactive platform for everyone interested in electronics. From beginner to diehard, from student to lecturer. Information, education, inspiration and entertainment. Analog and digital, practical and theoretical; software and hardware.



open source
hardware

HandsOn Technology support Open Source Hardware (OSHW) Development Platform.

Learn : Design : Share

handsontec.com



The Face behind our product quality...

In a world of constant change and continuous technological development, a new or replacement product is never far away – and they all need to be tested.

Many vendors simply import and sell without checks and this cannot be the ultimate interests of anyone, particularly the customer. Every part sell on Handsotec is fully tested. So when buying from Handsotec products range, you can be confident you're getting outstanding quality and value.

We keep adding the new parts so that you can get rolling on your next project.



www.handsontec.com

[Breakout Boards & Modules](#)



[Connectors](#)



www.handsontec.com

[Electro-Mechanical Parts](#)



[Engineering Material](#)



www.handsontec.com

[Mechanical Hardware](#)



[Electronics Components](#)

P



www.handsontec.com

[Power Supply](#)



[Arduino Board & Shield](#)

[Tools & Accessory](#)



www.handsontec.com

[Tools & Accessory](#)