



Data Specs

Nema-23/57 Stepper Motor Right Angle Bracket.

Durable with alloy steel material. Fit for 57mm stepper motor such as NEMA23. Easy to install.



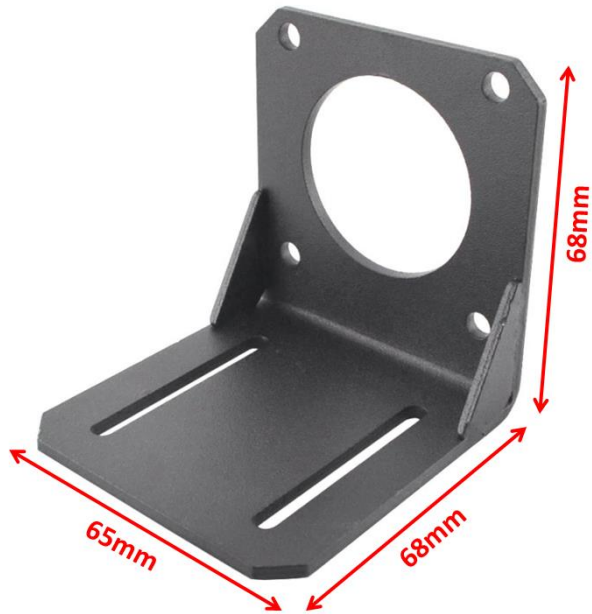
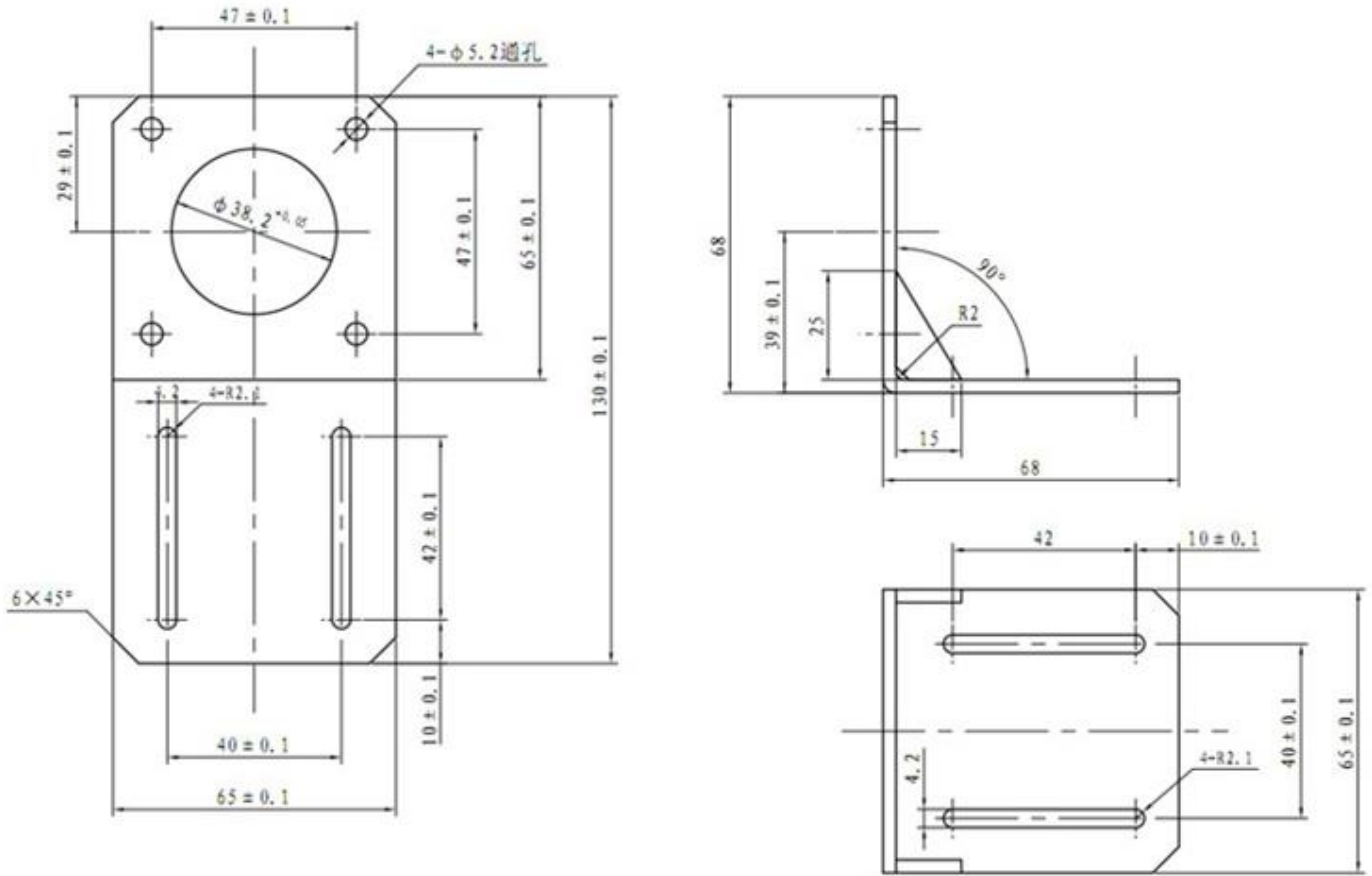
SKU: [FAM1046](#)

Brief Data:

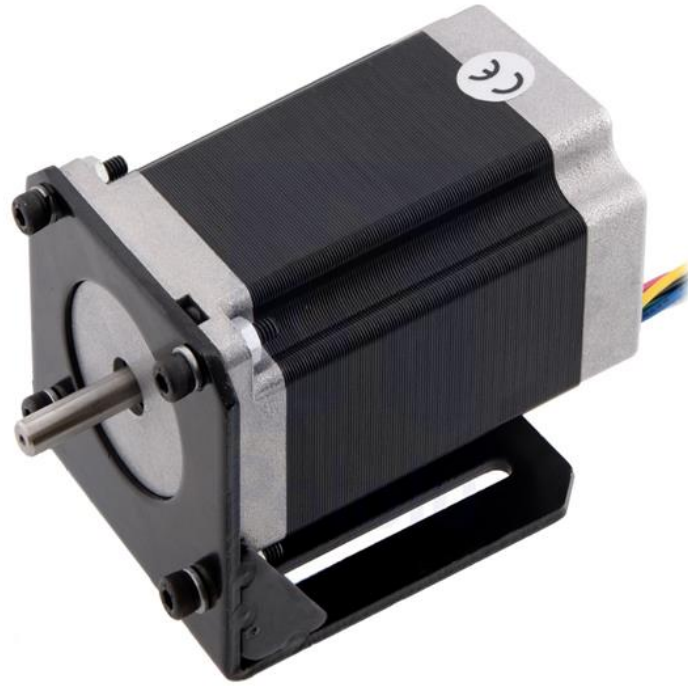
- Bracket Orientation: Right Angle.
- Motor Type: Nema 23 Stepper Motor.
- Material: Alloy Steel.
- Size: 65 x 68 x 68mm (L*W*H).
- Color: Black.
- Mounting Hole: M5.
- Parallel Tighten Slot: M4.
- Weight: 170g.

Mechanical Dimension:

Unit: mm



Application Example:





Handsontec.com

We have the parts for your ideas

HandsOn Technology provides a multimedia and interactive platform for everyone interested in electronics. From beginner to diehard, from student to lecturer. Information, education, inspiration and entertainment. Analog and digital, practical and theoretical; software and hardware.



HandsOn Technology support Open Source Hardware (OSHW) Development Platform.

Learn : Design : Share

handsontec.com



The Face behind our product quality...

In a world of constant change and continuous technological development, a new or replacement product is never far away – and they all need to be tested.

Many vendors simply import and sell without checks and this cannot be the ultimate interests of anyone, particularly the customer. Every part sell on Handsotec is fully tested. So when buying from Handsotec products range, you can be confident you're getting outstanding quality and value.

We keep adding the new parts so that you can get rolling on your next project.



www.handsontec.com

[Breakout Boards & Modules](#)



[Connectors](#)



[Electro-Mechanical Parts](#)



[Engineering Material](#)



[Mechanical Hardware](#)



[Electronics Components](#)



www.handsontec.com

[Power Supply](#)



[Arduino Board & Shield](#)

[Tools & Accessory](#)



www.handsontec.com

[Tools & Accessory](#)