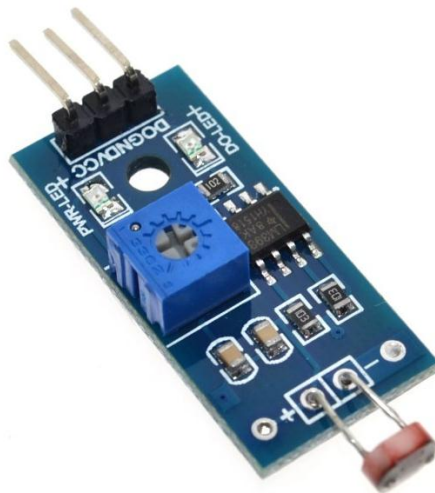


## Ambient Light Sensor Module

This is a photosensitive Light Dependent Resistor (LDR) module. Suitable for detection of environmental light intensity and ambient brightness. Its sensitivity can be adjusted with an on board potentiometer, where turning it clockwise will increase the sensitivity and increase the detection range.

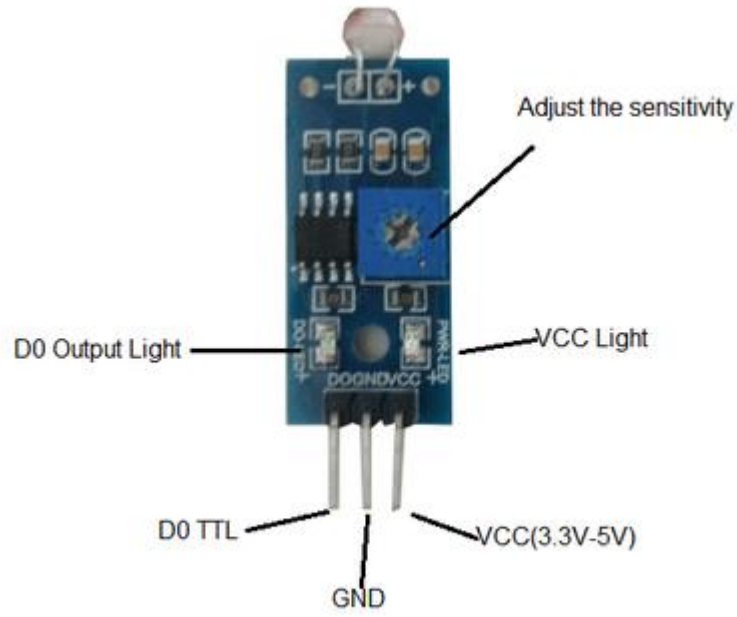


SKU: [SSR-1014](#)

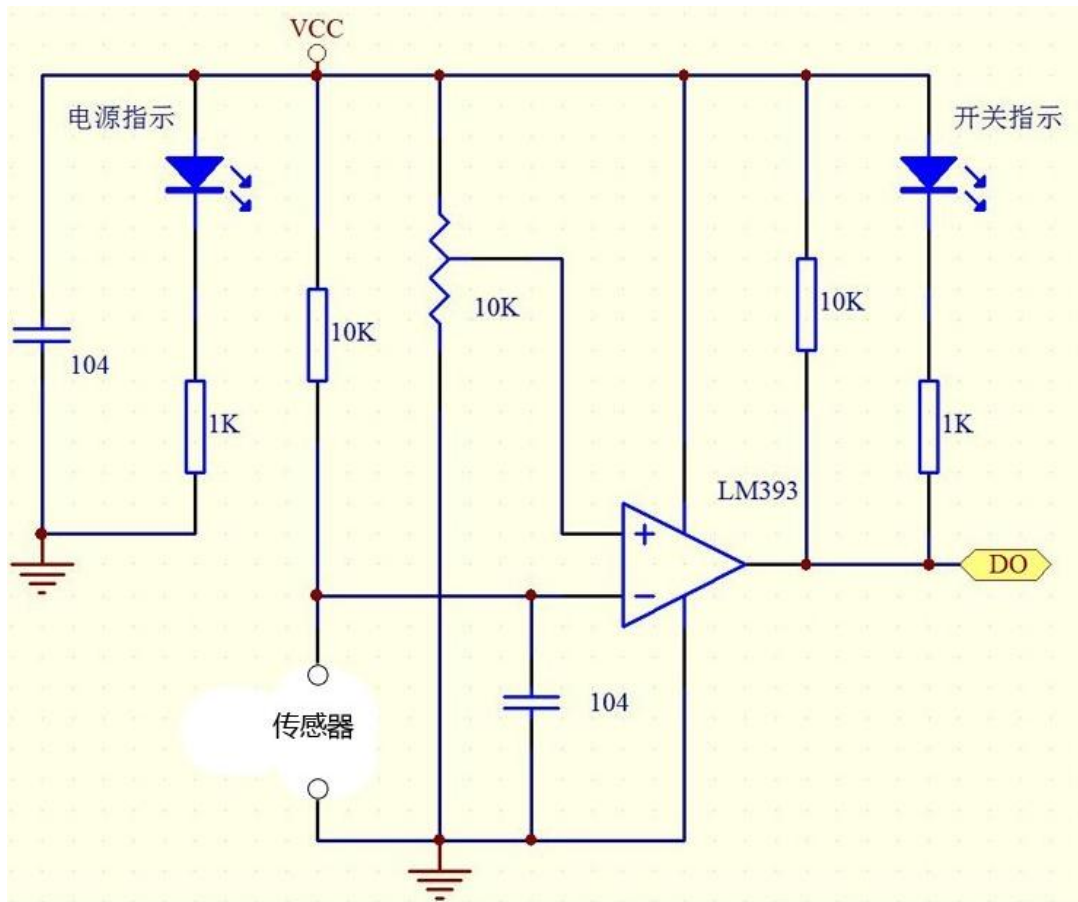
### **Brief Data:**

- 3-Pin Connection: GND (-)/ VCC (+)/Digital Out ( Signal).
- Digital Output:
  - Logic High (1): No Light. DO LED “OFF”
  - Logic Low (0): Light Detected. DO LED “ON”
- Light Sensor: Light Dependent Resistor (LDR).
- Suitable supply voltage: +3 to +5Vdc.
- Interface with microcontrollers and logic circuits.
- LED indicator – ON when ambient light exceeds threshold.
- Potentiometer to adjust the sensitivity of a light sensor.
- Dimensions: 3.2cm x 1.4cm

## Functional Diagram:



## Schematic Diagram:





# Handsontec.com

*We have the parts for your ideas*

---

HandsOn Technology provides a multimedia and interactive platform for everyone interested in electronics. From beginner to diehard, from student to lecturer. Information, education, inspiration and entertainment. Analog and digital, practical and theoretical; software and hardware.



open source  
hardware

HandsOn Technology support Open Source Hardware (OSHW) Development Platform.

*Learn : Design : Share*

*[www.handsontec.com](http://www.handsontec.com)*

**The Face behind our product quality...**

**In a world of constant change and continuous technological development, a new or replacement product is never far away – and they all need to be tested.**

**Many vendors simply import and sell without checks and this cannot be the ultimate interests of anyone, particularly the customer. Every part sell on Handsotec is fully tested. So when buying from Handsontec products range, you can be confident you're getting outstanding quality and value.**

**We keep adding the new parts so that you can get rolling on your next project.**



[www.handsontec.com](http://www.handsontec.com)

[Breakout Boards & Modules](#)



[Connectors](#)



[www.handsontec.com](http://www.handsontec.com)

[Electro-Mechanical Parts](#)



[www.handsontec.com](http://www.handsontec.com)

[Engineering Material](#)



[www.handsontec.com](http://www.handsontec.com)

[Mechanical Hardware](#)



[Electronics Components](#)

P



[www.handsontec.com](http://www.handsontec.com)

[Power Supply](#)



[Arduino Board & Shield](#)

[Tools & Accessory](#)



[www.handsontec.com](http://www.handsontec.com)

[Tools & Accessory](#)