

50V CERAMIC DISC

89000 SERIES

The 89000 series is a range of insulated disc, monolithic fixed ceramic capacitors. They are most commonly used in consumer electronics and telecommunication equipment.

RATINGS

Capacitance Range: 1.0pf to 0.10 μ f (100,000pf)

Voltage: 50 Volts DC

Withstand Voltage: 150 Volts DC

PERFORMANCE SPECIFICATIONS

Operating Temperature Range:

-25°C to +85°C (-13°F to +185°F)

Tolerance Range:

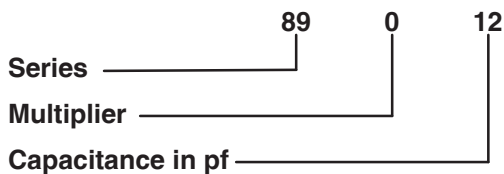
| | |
|--------------|------------|
| 8901D0-89010 | ±0.5pf |
| 89012-89312 | ±10% |
| 89315 | ±20% |
| 89322-89410 | +80%, -20% |

Temperature Coefficient:

| | | |
|--------------|---|------------------|
| 8901D0-89110 | - | NPO (Stable) |
| 89112-89310 | - | YSP (\pm 10%) |
| 89312-89315 | - | Y5R (\pm 15%) |
| 89322-89410 | - | Y5V (+30% - 80%) |

Insulation Resistance: 10,000M Ω Min,
but, 5,000M Ω Min for capacitance over
0.020 μ f

ORDERING INFORMATION



Example: 8901D5 = 1.5pf
89012 = 12pf
89112 = 120pf

MARKING EXAMPLE

Example: 150pf = 151
1500pf = 152
0.015 μ f = 153

Figure 1



89000 Series Dimensions (Figure 2)

| Cap pf | DØ mm | T mm | S mm | Cap pf | DØ mm | T mm | S mm |
|--------|-------|------|------|---------------|-------|------|------|
| 1.0pf | 4 | 4 | 2.5 | 680pf | 4 | 4 | 2.5 |
| 1.5pf | 4 | 4 | 2.5 | 820pf | 5 | 4 | 2.5 |
| 2.0pf | 4 | 4 | 2.5 | 1000pf | 5 | 4 | 2.5 |
| 3.0pf | 4 | 4 | 2.5 | 1200pf | 5 | 4 | 2.5 |
| 5.0pf | 4 | 4 | 2.5 | 1500pf | 5 | 4 | 2.5 |
| 6.0pf | 4 | 4 | 2.5 | 2200pf | 5 | 4 | 2.5 |
| 7.0pf | 4 | 4 | 2.5 | 3300pf | 8 | 4 | 5.1 |
| 8.0pf | 4 | 4 | 2.5 | 4700pf | 8 | 4 | 5.1 |
| 10pf | 4 | 4 | 2.5 | 5600pf | 9.5 | 4 | 5.1 |
| 12pf | 4 | 4 | 2.5 | 6800pf | 9.5 | 4 | 5.1 |
| 15pf | 4 | 4 | 2.5 | 8200pf | 10.5 | 3 | 5.1 |
| 18pf | 5 | 4 | 2.5 | 0.1 μ f | 12.5 | 3 | 5.1 |
| 22pf | 5 | 4 | 2.5 | 0.012 μ f | 6.3 | 4 | 5.1 |
| 33pf | 5 | 4 | 2.5 | 0.015 μ f | 6.3 | 4 | 5.1 |
| 39pf | 6.3 | 4 | 5.1 | 0.022 μ f | 8 | 4 | 5.1 |
| 47pf | 6.3 | 4 | 5.1 | 0.033 μ f | 5 | 4 | 5.08 |
| 56pf | 6.3 | 4 | 5.1 | 0.047 μ f | 12.5 | 4 | 5.1 |
| 68pf | 8 | 4 | 5.1 | 0.050 μ f | 5 | 4 | 5.08 |
| 82pf | 8 | 4 | 5.1 | 0.068 μ f | 12.25 | 3.25 | 7.5 |
| 100pf | 8 | 4 | 5.1 | 0.10 μ f | 7.3 | 3.25 | 4.5 |
| 120pf | 4 | 4 | 2.5 | | | | |
| 220pf | 4 | 4 | 2.5 | | | | |
| 330pf | 4 | 4 | 2.5 | | | | |
| 470pf | 4 | 4 | 2.5 | | | | |

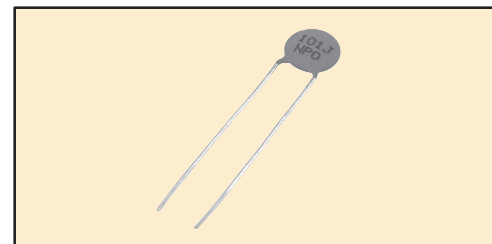
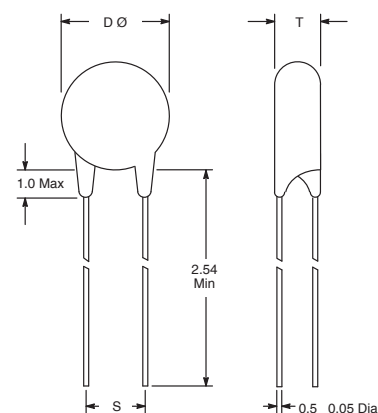


Figure 2



All dimensions are in mm

HandsOn Technology

<http://www.handsontec.com>

creativity for tomorrow's better living...

HandsOn Tech provides a multimedia and interactive platform for everyone interested in electronics. From beginner to diehard, from student to lecturer... Information, education, inspiration and entertainment. Analog and digital; practical and theoretical; software and hardware...



HandsOn Technology support Open Source Hardware(OSHW) Development Platform.

Learn : Design : Share

www.handsontec.com

