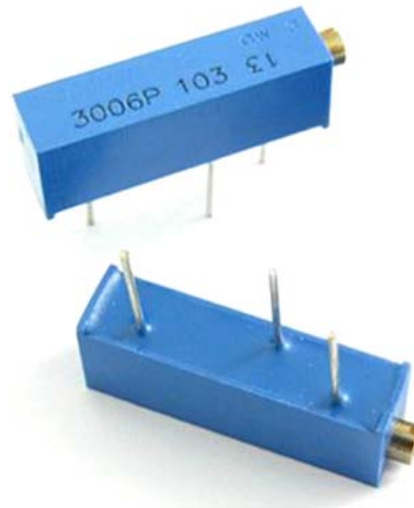




Data Specs

3006P High Precision Multi-Turn Potentiometer

300P series of high precision multi-turn potentiometer for general application.



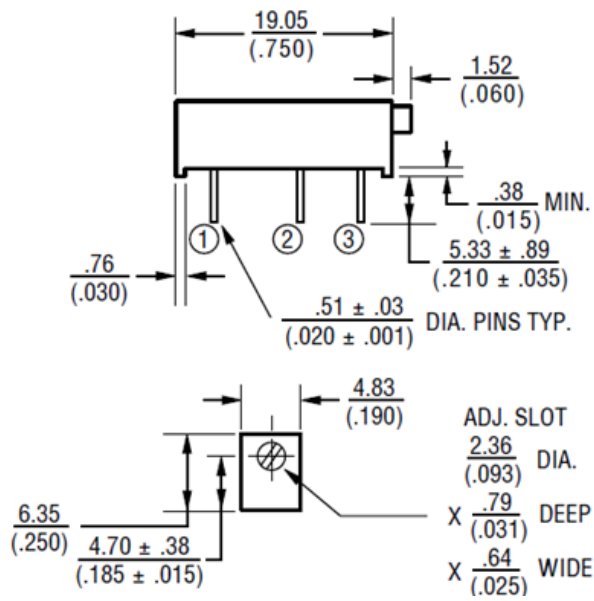
SKU: [RES-1278](#)

Brief Data:

- Resistance Range: $10\Omega \sim 2M\Omega$.
- Resistance Tolerance: $\pm 5\%$.
- Adjustment Angle: 15-turns nominal .
- Voltage Rating: 350V.
- Torque: 30mN.m.
- Power Rating: 0.75W.

Mechanical Dimension:

Unit: mm



3006P

