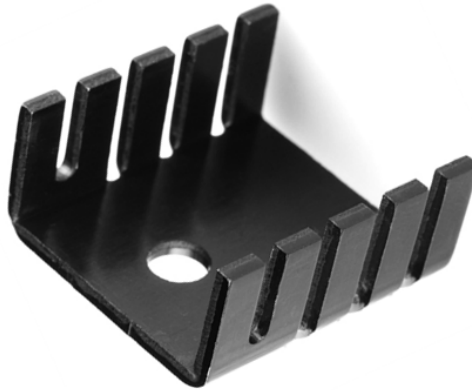




## Data Specs

### HT718 TO220 Heatsink 19x14x10mm, Screw Mount

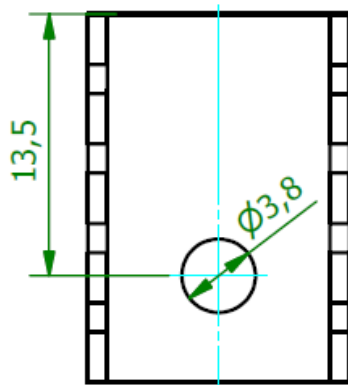
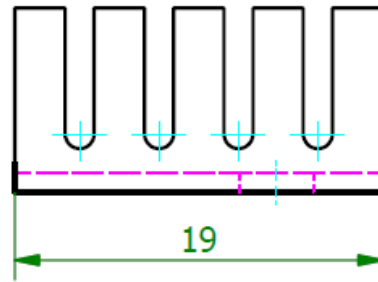
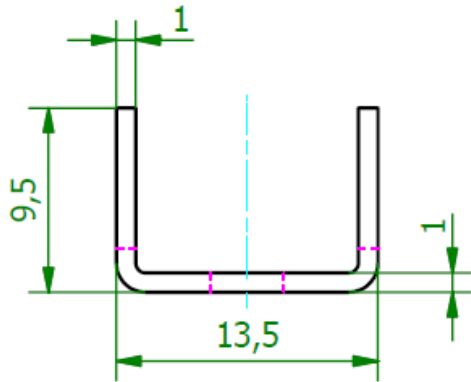
Small heat sink for TO-220 components. Ideal for keeping your 5V and 3.3V regulators running cool. Black anodized bolt on type with 2.5W dissipation.



### Brief Specification:

- For use with: TO-220.
- Length: 19mm.
- Width: 13.5mm.
- Height: 9.5mm.
- Dimensions: 19 x 13.5 x 9.5mm.
- Thermal Resistance: 24K/W.
- Mounting: Screw.
- Color: Black anodized.

**Mechanical Dimension:**



( 1 : 1 )

