

Trimmer Potentiometer

KLS4-WH0812 Series

FEATURES

This specification applies to the variable resistors for electronic equipment Polyester substrate.

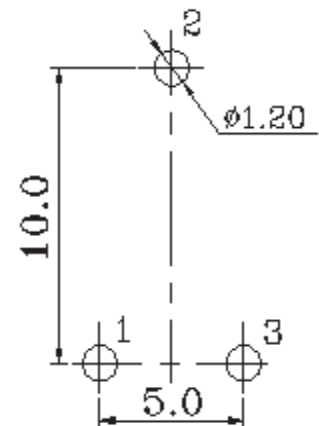
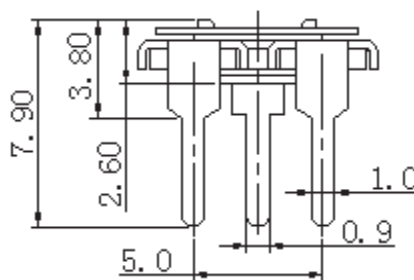
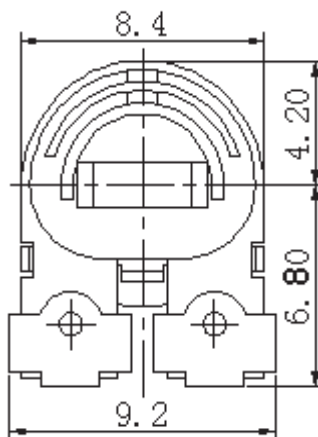
- *Long life model for low cost control pot applications
- *Since a variety of types are available, they can be used for a wide range of products
- *Special tapers
- *Low torque option

MECHANICAL SPECIFICATIONS

rotation angle: $260^\circ \pm 10^\circ$
rotation torque :4-35mN. M

ELECTRICAL SPECIFICATIONS

Range of nominal resistance: 1000Ω-2MΩ
Resistance taper: B
Resistance tolerance: $\pm 20\%$
Rotational noise: 5% R
Residual resistance: $R < 1\text{Kohm}$, Max 20ohm, $R \geq 1\text{Kohm}$, Max 2% R
Rated power: 0.0125 W
Max. Operating voltage: DC50V
Mechanical endurance: 500 cycles
Operating temperature: $-25^\circ\text{C} \sim +70^\circ\text{C}$



ORDER INFORMATION

Product No.: KLS4-WH0812 -103

Pos. No.

8mm Trimmer potentiometer Series

Value: 103- 10000Ω

Trimmer Potentiometer

KLS4-WH0811 Series

FEATURES

This specification applies to the variable resistors for electronic equipment Polyester substrate.

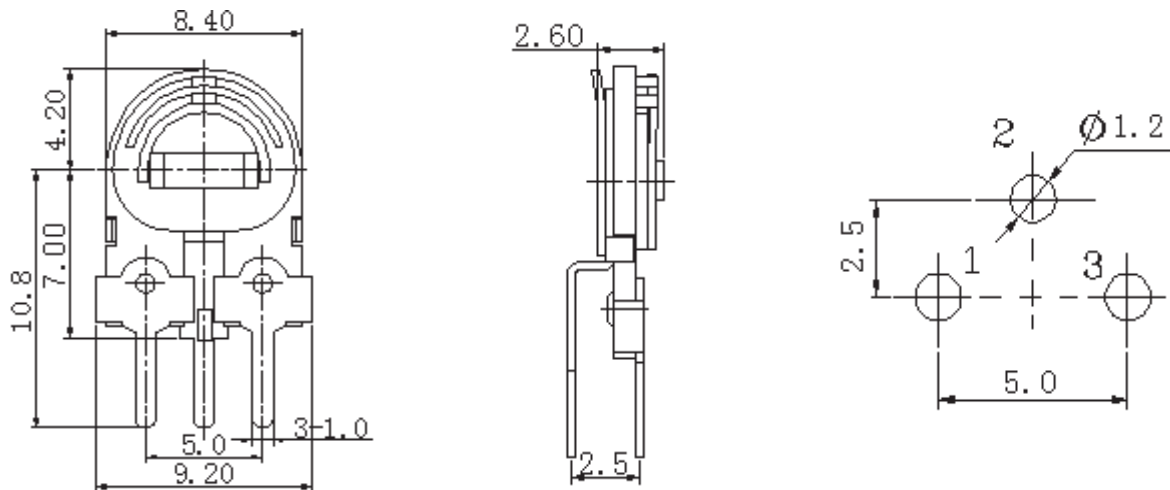
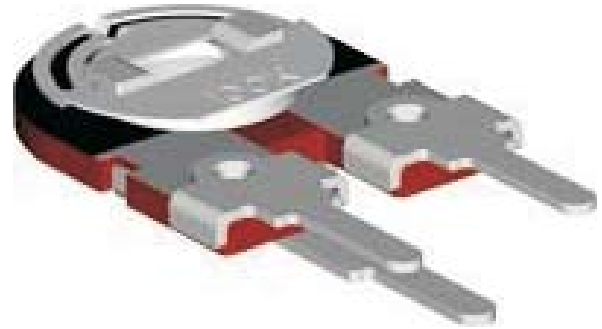
- *Long life model for low cost control pot applications
- *Since a variety of types are available, they can be used for a wide range of products
- *Special tapers
- *Low torque option

MECHANICAL SPECIFICATIONS

rotation angle: $260^\circ \pm 10^\circ$
rotation torque :4-35mN. M

ELECTRICAL SPECIFICATIONS

Range of nominal resistance: 1000Ω-2MΩ
Resistance taper: B
Resistance tolerance: $\pm 20\%$
Rotational noise: 5% R
Residual resistance: $R < 1\text{Kohm}$, Max 20ohm, $R \geq 1\text{Kohm}$, Max 2% R
Rated power: 0.0125 W
Max. Operating voltage: DC50V
Mechanical endurance: 500 cycles
Operating temperature: $-25^\circ\text{C} \sim +70^\circ\text{C}$



ORDER INFORMATION

Product No.: KLS4-WH0811 -103

Pos. No. _____

8mm Trimmer potentiometer Series _____

Value: 103- 10000Ω

HandsOn Technology

<http://www.handsontec.com>

creativity for tomorrow's better living...

HandsOn Tech provides a multimedia and interactive platform for everyone interested in electronics. From beginner to diehard, from student to lecturer... Information, education, inspiration and entertainment. Analog and digital; practical and theoretical; software and hardware...



HandsOn Technology support Open Source Hardware(OSHW) Development Platform.

Learn : Design : Share

www.handsontec.com



www.handsontec.com



www.handsontec.com



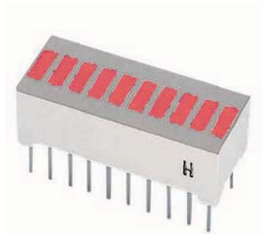
www.handsontec.com

www.handsontec.com

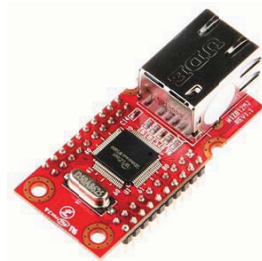
Welcome to Handsontec Store



LCD+Keyboard Shield



10-Segments LED Bar Display



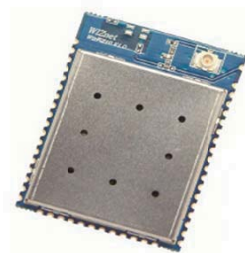
Ethernet Module



Arduino Uno



MicroSD Breakout Board



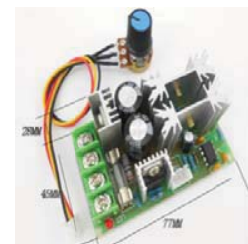
WiFi Module



20x4 LCD Display Module



Stepper Motor Driver



PWM Motor Speed Controller



www.handsontec.com

Breakout Board & Modules



www.handsontec.com

Integrated Circuits



www.handsontec.com

Discrete Parts



www.handsontec.com

Assembled Kits



www.handsontec.com

Connectors