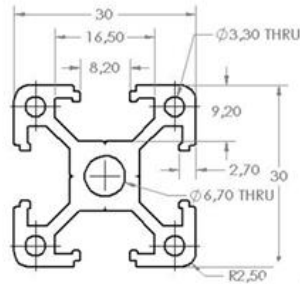




Data Specs

## 30x30mm Slotted Aluminum Profile

This aluminium profiles is based on 30mm core dimensions. These aluminium extrusions are used for small, light precision applications such as sensor supports, 3-D printer, CNC machine and robotic linear motion. The system has it's own range of ancillary parts such as hinges, handles, slot nuts and joining plates. Made of aluminum, it's exactly 30x30mm square and has slots on all 4 sides.



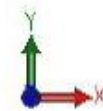
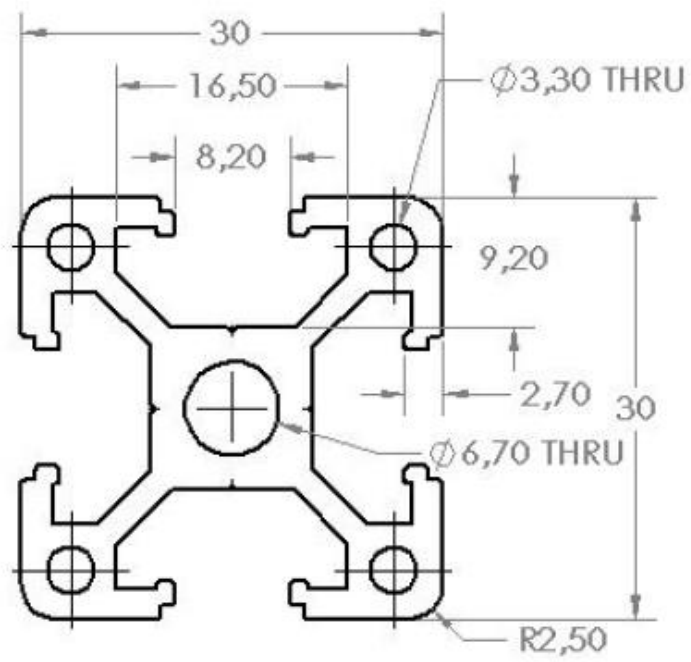
**SKU: ERM1041**

### Specification:

- Profile size: 30 x 30mm.
- Length: 500~1000mm.
- Moment of Inertia IX: 3.00cm<sup>4</sup>.
- Moment of Inertia IY: 3.00cm<sup>4</sup>.
- Section Modulus SX: 2.00cm<sup>3</sup>.
- Section Modulus SY: 2.00cm<sup>3</sup>.
- Center Hole Diameter: 6.7mm.
- Can be tapped for M8 screws.
- Material: Aluminum 6063-T5.
- 4-slots.
- Coating: Silver.
- Profile weight: 0.95kg/m.

**Mechanical Dimension:**

**Unit: mm**





# Handsontec.com

**We have the parts for your ideas**

---

HandsOn Technology provides a multimedia and interactive platform for everyone interested in electronics. From beginner to diehard, from student to lecturer. Information, education, inspiration and entertainment. Analog and digital, practical and theoretical; software and hardware.

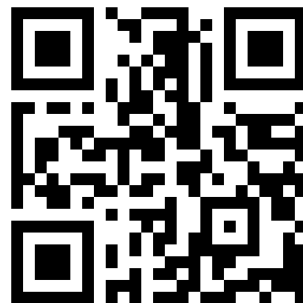


open source  
hardware

HandsOn Technology support Open Source Hardware (OSHW) Development Platform.

*Learn : Design : Share*

*handsontec.com*



**The Face behind our product quality...**

**In a world of constant change and continuous technological development, a new or replacement product is never far away – and they all need to be tested.**

**Many vendors simply import and sell without checks and this cannot be the ultimate interests of anyone, particularly the customer. Every part sell on Handsotec is fully tested. So when buying from Handsotec products range, you can be confident you're getting outstanding quality and value.**

**We keep adding the new parts so that you can get rolling on your next project.**



[www.handsontec.com](http://www.handsontec.com)

[Breakout Boards & Modules](#)



[Connectors](#)



[www.handsontec.com](http://www.handsontec.com)

[Electro-Mechanical Parts](#)



[www.handsontec.com](http://www.handsontec.com)

[Engineering Material](#)



[www.handsontec.com](http://www.handsontec.com)

[Mechanical Hardware](#)



[Electronics Components](#)

P



[www.handsontec.com](http://www.handsontec.com)

[Power Supply](#)



[Arduino Board & Shield](#)

Tools & Accessory



[www.handsontec.com](http://www.handsontec.com)

[Tools & Accessory](#)