



Data Specs

## 28x28x20 Right Angle Bracket for Aluminum Profile

You'll definitely want to pick up a couple of these corner brace supports when working on a project with 20x20 extrusion. They're nice and solid, made of cast aluminum so they are stronger than extruded corner supports. Two holes, one in each corner allow you to easily connect two pieces of 20x20 aluminium profile at a 90° degree angle.

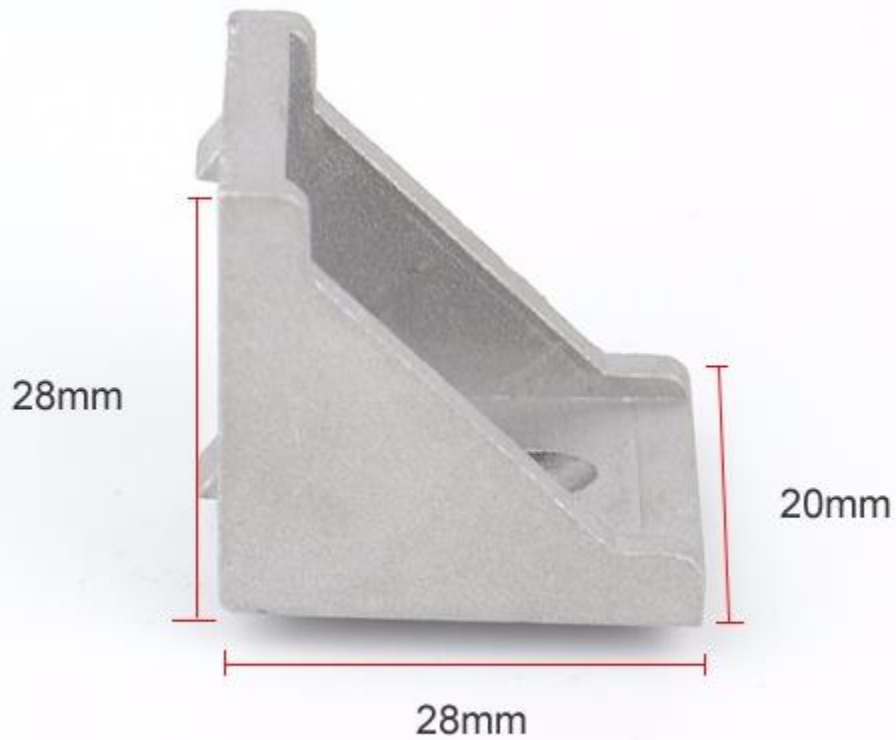
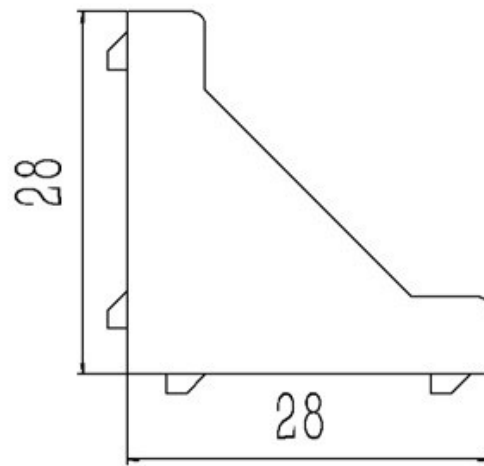
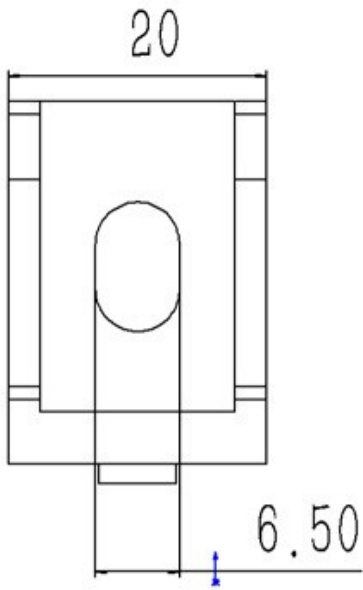


**SKU:** [MCH1098](#)

### **Brief Data:**

- Type: Right Angle Bracket for 20 Series Aluminum Profile.
- Size: 28x28x20mm.
- Standard: European standard.
- Material: Aluminium alloy.
- Weight: 12g.

**Mechanical Dimension:**





# Handsontec.com

**We have the parts for your ideas**

---

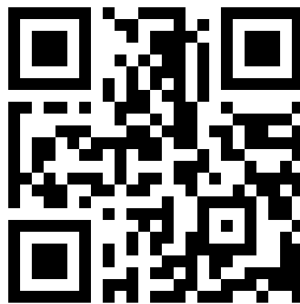
HandsOn Technology provides a multimedia and interactive platform for everyone interested in electronics. From beginner to diehard, from student to lecturer. Information, education, inspiration and entertainment. Analog and digital, practical and theoretical; software and hardware.



HandsOn Technology support Open Source Hardware (OSHW) Development Platform.

*Learn : Design : Share*

*handsontec.com*



**The Face behind our product quality...**

**In a world of constant change and continuous technological development, a new or replacement product is never far away – and they all need to be tested.**

**Many vendors simply import and sell without checks and this cannot be the ultimate interests of anyone, particularly the customer. Every part sell on Handsotec is fully tested. So when buying from Handsotec products range, you can be confident you're getting outstanding quality and value.**

**We keep adding the new parts so that you can get rolling on your next project.**



[www.handsontec.com](http://www.handsontec.com)

[Breakout Boards & Modules](#)



[Connectors](#)



[www.handsontec.com](http://www.handsontec.com)

[Electro-Mechanical Parts](#)



[www.handsontec.com](http://www.handsontec.com)

[Engineering Material](#)



[www.handsontec.com](http://www.handsontec.com)

[Mechanical Hardware](#)



[Electronics Components](#)

P



[www.handsontec.com](http://www.handsontec.com)

[Power Supply](#)



[Arduino Board & Shield](#)

[Tools & Accessory](#)



[www.handsontec.com](http://www.handsontec.com)

[Tools & Accessory](#)