

Data Specs

Arduino Nano 3.0

The Arduino Nano is a small, complete, and breadboard-friendly board based on the ATmega328P. It has more or less the same functionality of the Arduino Duemilanove, but in a different package. It lacks only a DC power jack, and works with a Mini-B USB cable instead of a standard one.



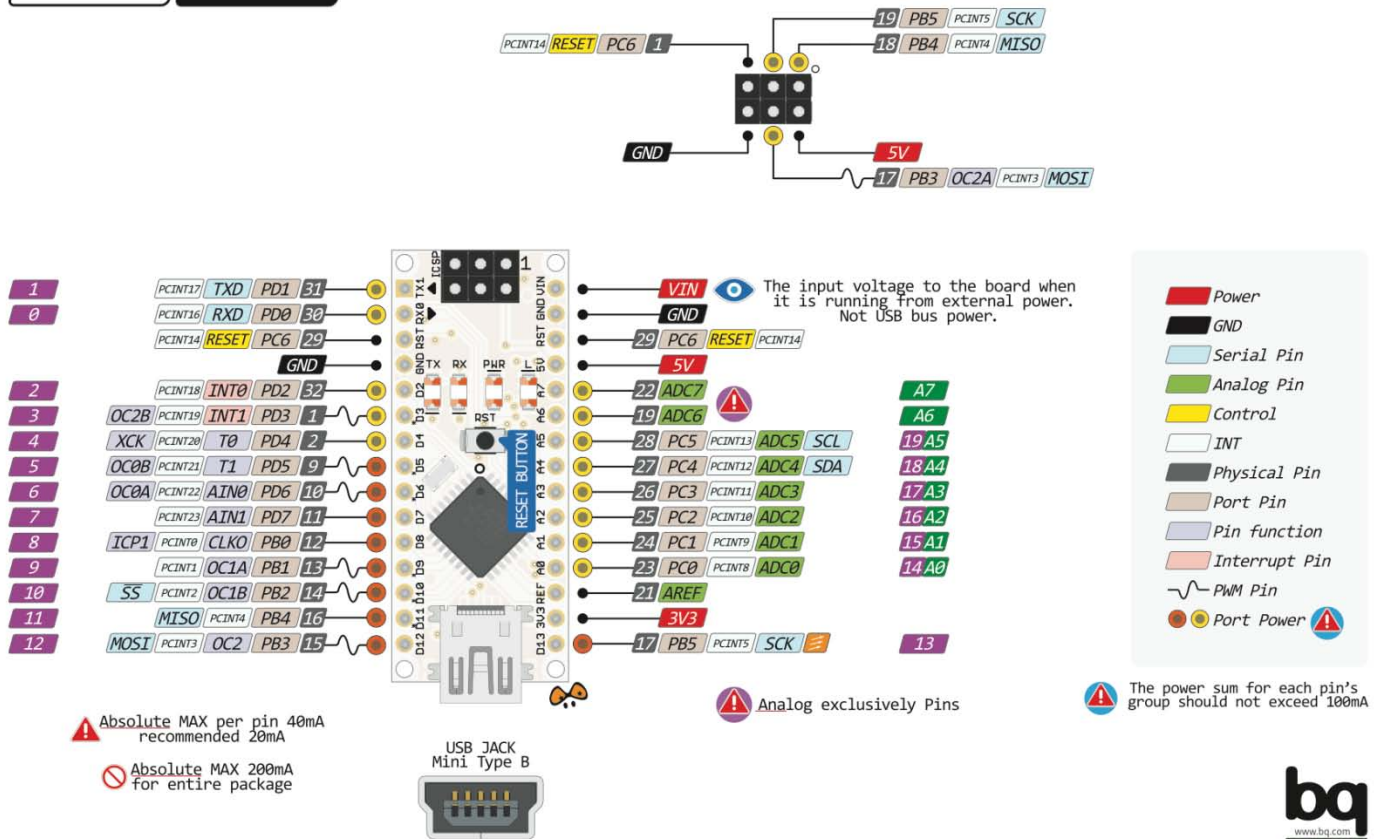
SKU: [MDU-1046](#)

Brief Specification:

- Supply Voltage: 3~5V.
- Microcontroller: Atmel ATmega328.
- Operating Voltage: (logic level) 5V.
- Input Voltage: (recommended) 7-12V.
- Input Voltage (limits):.6-20V
- Digital I/O Pins: 14 (of which 6 provide PWM output).
- Analog Input Pins:8.
- DC Current per I/O Pin: 40mA.
- Flash Memory: 32KB (ATmega328) of which 2 KB used by bootloader.
- SRAM: 2KB (ATmega328).
- EEPROM: 1KB (ATmega328).
- Clock Speed: 16MHz.
- Dimensions: 0.73" x 1.70".

Board Layout & I/O Pin:

NANO PINOUT



Power:

The Arduino Nano can be powered via the Mini-B USB connection, 6-20V unregulated external power supply (pin 30), or 5V regulated external power supply (pin 27). The power source is automatically selected to the highest voltage source.

How to use Arduino:

Arduino can sense the environment by receiving input from a variety of sensors and can affect its surroundings by controlling lights, motors, and other actuators. The microcontroller on the board is programmed using the [Arduino programming language](#) (based on [Wiring](#)) and the Arduino development environment (based on [Processing](#)). Arduino projects can be stand-alone or they can communicate with software on running on a computer (e.g. Flash, Processing, MaxMSP).

Arduino is a cross-platform program. You'll have to follow different instructions for your personal OS. Check on the [Arduino site](#) for the latest instructions.

<http://arduino.cc/en/Guide/HomePage>

Mechanical Dimension:

