



3-Pin 250VAC/15A Fuse+Switch Power Socket

IEC320 C14 male plug, 3-pin terminal, durable material construction, long using life. This power socket fitted with Neon Indicator On/OFF switch and fuse. Used widely in lab equipment, fitness equipment, industrial automation equipment etc. Fit for fuse with 5x20mm size. Use only with a 250V fuse.



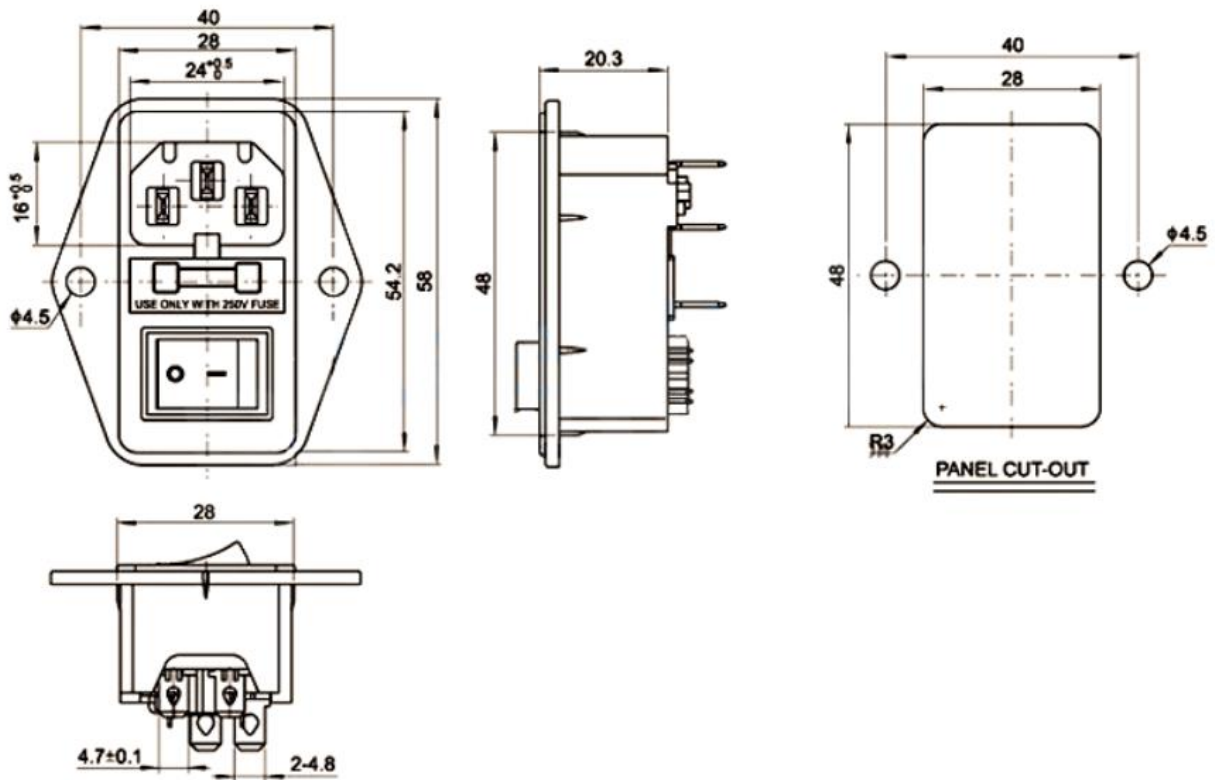
SKU: [CON1163](#)

Brief Data:

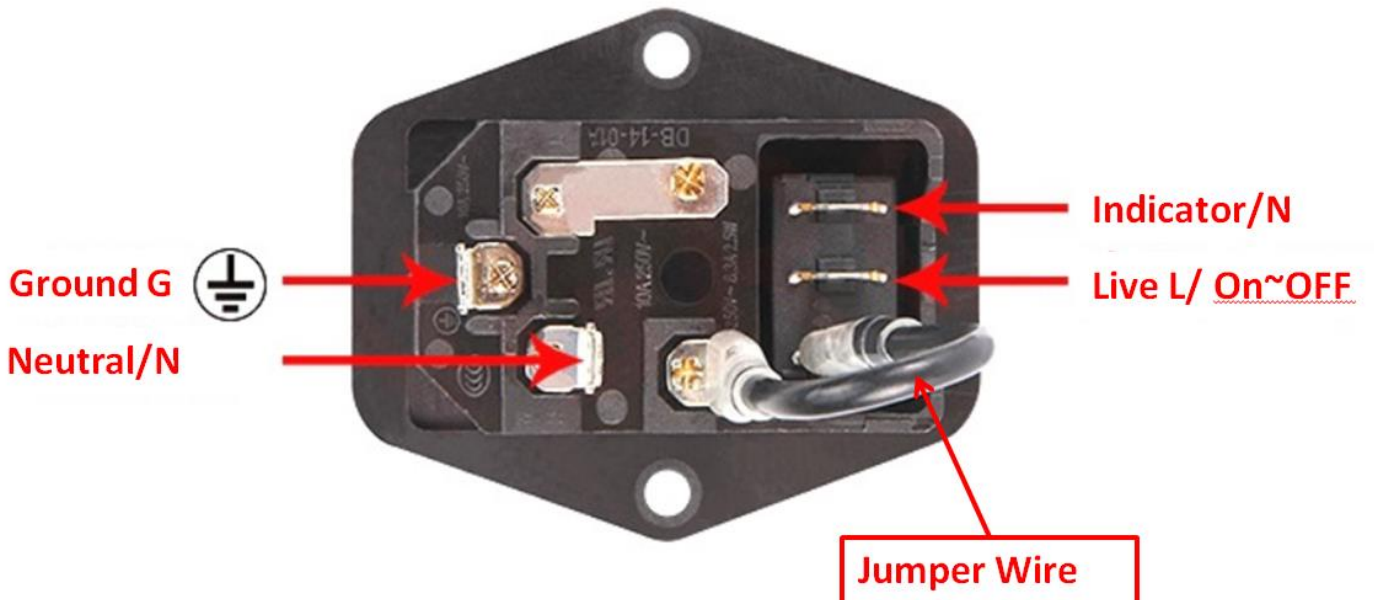
- Rated Load: 250VAC/15A.
- Switch: On~Off.
- Indicator Color: Red.
- Fuse Type: 5x20mm cylinder fuse.
- Insulation resistance: $\geq 100M\Omega$.
- Withstand Voltage: 2000V AC/min.
- Temperature range: $-40^{\circ}C \sim +70^{\circ}C$.
- Contact resistance: $\leq 0.03\Omega$.
- Safety standard: IEC-EN60320 sheet C14.
- Action Force: 5-40N.
- Lifespan: >5000times.

Mechanical Dimension:

Unit: mm.



Wiring Example:





Handsontec.com

We have the parts for your ideas

HandsOn Technology provides a multimedia and interactive platform for everyone interested in electronics. From beginner to diehard, from student to lecturer. Information, education, inspiration and entertainment. Analog and digital, practical and theoretical; software and hardware.



open source
hardware

HandsOn Technology support Open Source Hardware (OSHW) Development Platform.

Learn : Design : Share

handsontec.com



The Face behind our product quality...

In a world of constant change and continuous technological development, a new or replacement product is never far away – and they all need to be tested.

Many vendors simply import and sell without checks and this cannot be the ultimate interests of anyone, particularly the customer. Every part sold on Handsontec is fully tested. So when buying from Handsontec products range, you can be confident you're getting outstanding quality and value.

We keep adding the new parts so that you can get rolling on your next project.



www.handsontec.com

[Breakout Boards & Modules](#)



[Connectors](#)



www.handsontec.com

[Electro-Mechanical Parts](#)



www.handsontec.com

[Engineering Material](#)



www.handsontec.com

[Mechanical Hardware](#)



[Electronics Components](#)

P



www.handsontec.com

[Power Supply](#)



[Arduino Board & Shield](#)

Tools & Accessory



www.handsontec.com

[Tools & Accessory](#)