



## Data Specs

### HB9500 Barrier Terminal Block 9.5mm Pitch – Side Pin

HB9500 Barrier Terminal Block 9.5mm Pitch – Side Pin . The terminal accepts wire gauge of 22~12AWG. Connectors are available black PA66 material. This terminal block is with side terminal pin.



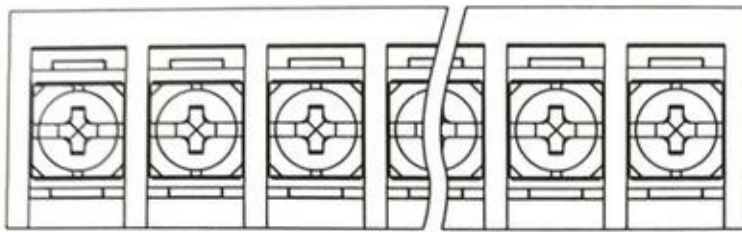
**SKU: CON1137**

#### **Brief Data:**

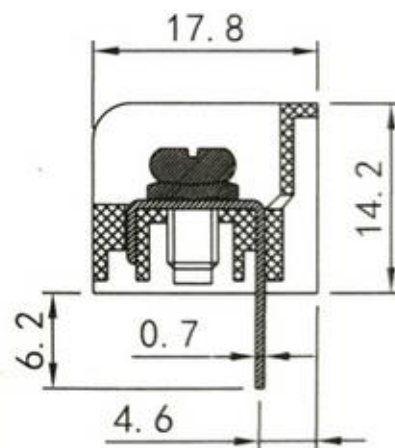
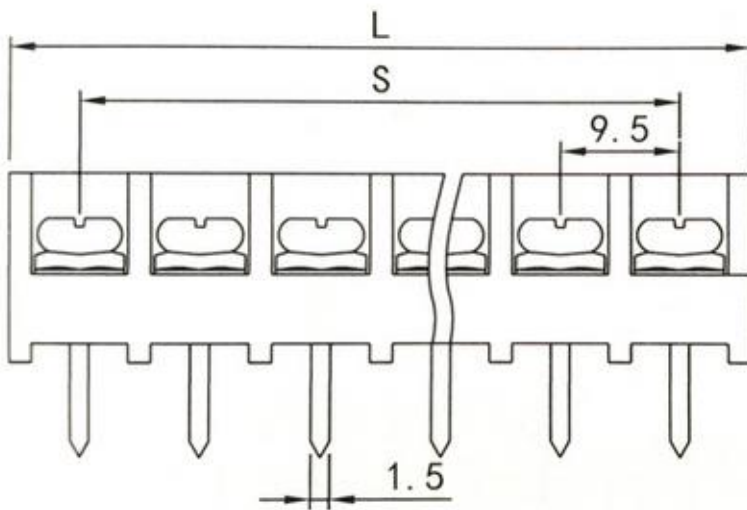
- Voltage Rating: 300V.
- Current Rating: 30A.
- Pin Orientation: Side – Back.
- Wire Gauge: 22~12 AWG.
- Pin Spacing: 9.5mm.
- Number of Poles: 2~24.
- Housing Material: PA66UL94V-0.
- Solder Pin: Tinned Brass.
- Screw: M4 Steel Nickel plated. Cross Head.
- Mounting Type: PCB thru-hole.
- Rated impulse voltage: 2KV.

**Mechanical Dimension:**

Unit: mm



$$S = 9.50 \times (N - 1)$$
$$L = 9.50 \times (N - 1) + 10.90$$





# Handsontec.com

**We have the parts for your ideas**

---

HandsOn Technology provides a multimedia and interactive platform for everyone interested in electronics. From beginner to diehard, from student to lecturer. Information, education, inspiration and entertainment. Analog and digital, practical and theoretical; software and hardware.



open source  
hardware

HandsOn Technology support Open Source Hardware (OSHW) Development Platform.

*Learn : Design : Share*

*handsontec.com*



**The Face behind our product quality...**

**In a world of constant change and continuous technological development, a new or replacement product is never far away – and they all need to be tested.**

**Many vendors simply import and sell without checks and this cannot be the ultimate interests of anyone, particularly the customer. Every part sell on Handsotec is fully tested. So when buying from Handsotec products range, you can be confident you're getting outstanding quality and value.**

**We keep adding the new parts so that you can get rolling on your next project.**



[www.handsontec.com](http://www.handsontec.com)

[Breakout Boards & Modules](#)



[Connectors](#)



[www.handsontec.com](http://www.handsontec.com)

[Electro-Mechanical Parts](#)



[www.handsontec.com](http://www.handsontec.com)

[Engineering Material](#)



[www.handsontec.com](http://www.handsontec.com)

[Mechanical Hardware](#)



[Electronics Components](#)

P



[www.handsontec.com](http://www.handsontec.com)

[Power Supply](#)



[Arduino Board & Shield](#)

Tools & Accessory



[www.handsontec.com](http://www.handsontec.com)

[Tools & Accessory](#)