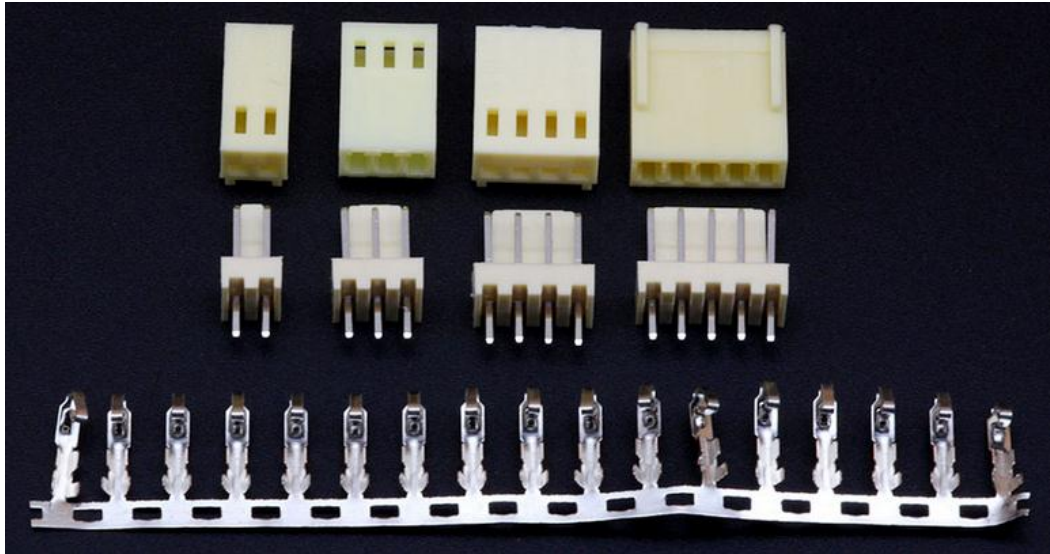




Data Specs

K2510 Wire-to-Board Connector 2.54mm Pitch

The KF2510 series connector range is suitable for a range of wire-to-board connecting applications. The series consists of PCB headers, receptacle housings and contacts terminal.



SKU: [CON-1043](#)

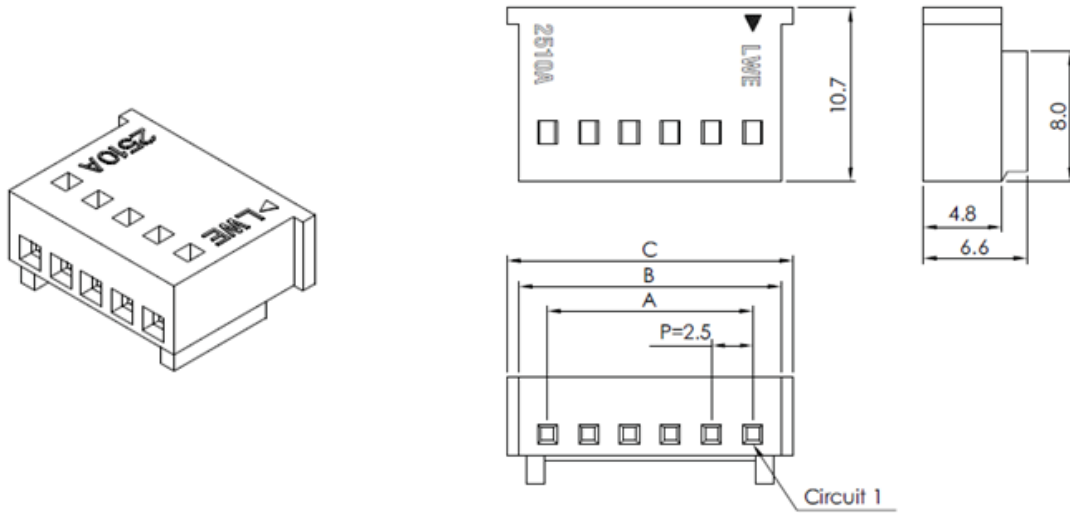
Brief Data:

- Current rating: 3A AC/DC.
- Voltage rating: 250V AC/DC.
- Temperature range: -25°C to +85 °C
- Contact resistance: 10mΩ Max.
- Insulation resistance: 1000MΩ Min
- Withstand voltage: 1000VAC@minute.
- Material: Phosphoric copper Tin-plated.
- Applicable wire sizes: AWG 28~32.
- Pitch: 2.54mm.
- Pin: 2 ~10.

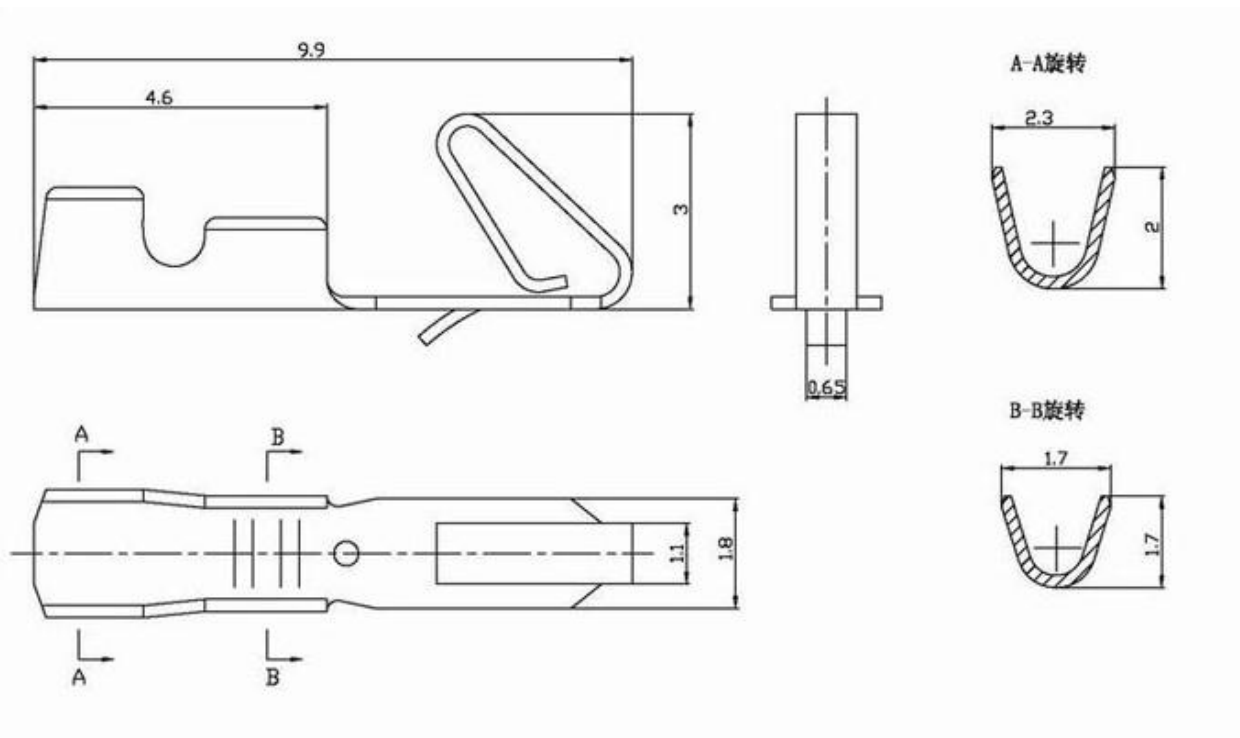
Mechanical Dimension:

Unit: mm

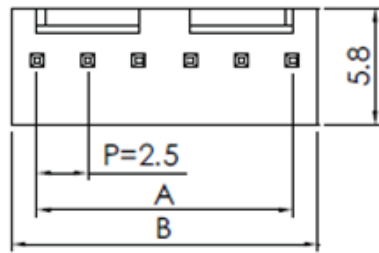
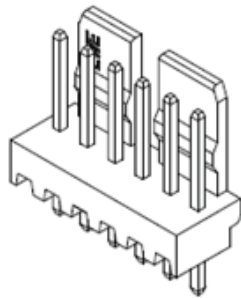
Crimp Housing:



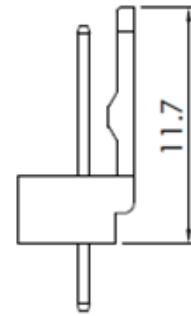
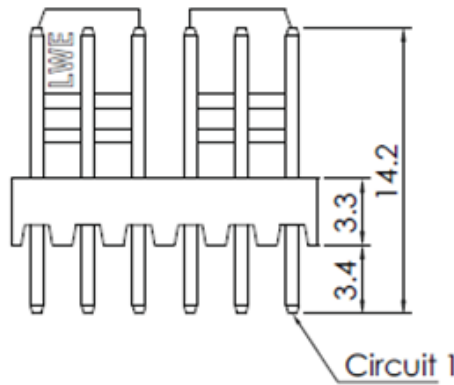
Crimp Terminal:



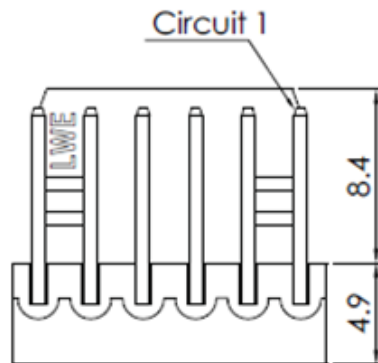
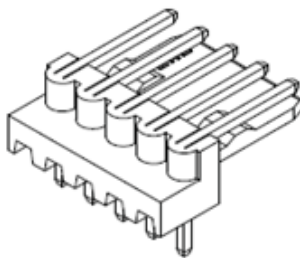
DIP Header-Straight:



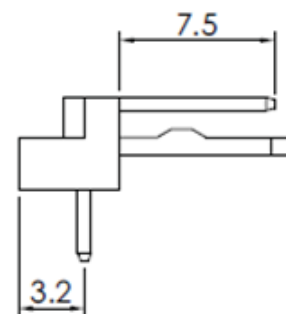
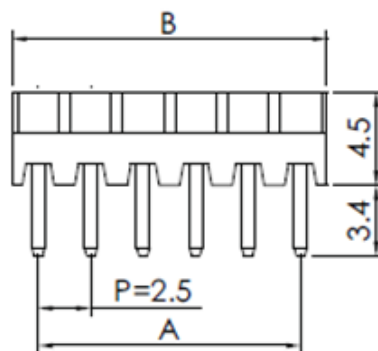
Straight Type
0.64mm Square Pin



DIP Header-Right Angle:

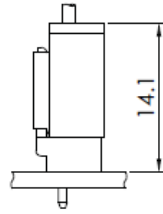
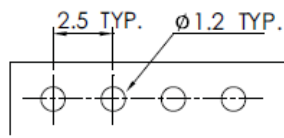


Right-Angle Type
0.64mm Square Pin

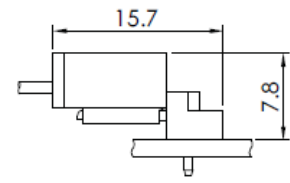
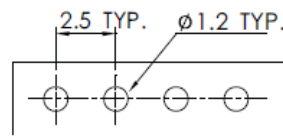


PCB Layout / Assembly Layout:

Straight Type



Right-Angle Type





Handsontec.com

We have the parts for your ideas

HandsOn Technology provides a multimedia and interactive platform for everyone interested in electronics. From beginner to diehard, from student to lecturer. Information, education, inspiration and entertainment. Analog and digital, practical and theoretical; software and hardware.



open source
hardware

HandsOn Technology support Open Source Hardware (OSHW) Development Platform.

Learn : Design : Share

www.handsontec.com

The Face behind our product quality...

In a world of constant change and continuous technological development, a new or replacement product is never far away – and they all need to be tested.

Many vendors simply import and sell without checks and this cannot be the ultimate interests of anyone, particularly the customer. Every part sell on Handsotec is fully tested. So when buying from Handsontec products range, you can be confident you're getting outstanding quality and value.

We keep adding the new parts so that you can get rolling on your next project.



www.handsontec.com

[Breakout Boards & Modules](#)



[Connectors](#)



www.handsontec.com

[Electro-Mechanical Parts](#)



www.handsontec.com

[Engineering Material](#)



www.handsontec.com

[Mechanical Hardware](#)



[Electronics Components](#)

P



www.handsontec.com

[Power Supply](#)



[Arduino Board & Shield](#)

Tools & Accessory



www.handsontec.com

[Tools & Accessory](#)