



5.08mm Pluggable Terminal Block

KF series pluggable terminal block connectors with 5.08mm pitch. This two-piece, plug and header pin design of “pluggable” terminal blocks speed and simplify board replacement and reduce costly downtime and misconnections. These pluggable terminal block connectors can accommodate cables up to 1.5mm² and are available with 2 to 16 contacts. Terminal pin available in straight and right angle orientation.



SKU: [CON1105](#)

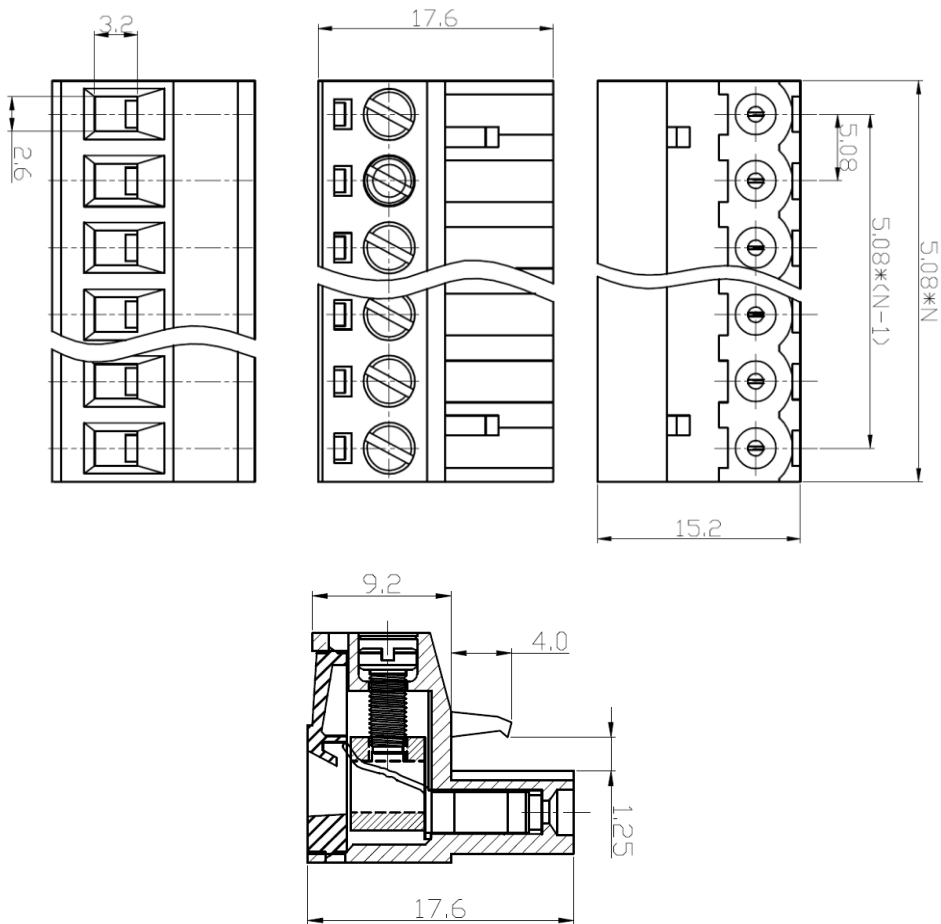
Brief Data:

- Series: KF2EDG-5.08.
- Number of Contacts: 2~8.
- Pitch: 5.08mm.
- Number of Rows: 1.
- Mounting Type: Cable Mount.
- Gender: Female.
- Termination Method: Screw Down.
- Type: Plug.
- Current Rating: 10A.
- Terminal Orientation: Right Angle & Straight.
- Color: Green.
- Voltage Rating: 400V.
- Material: PBT.

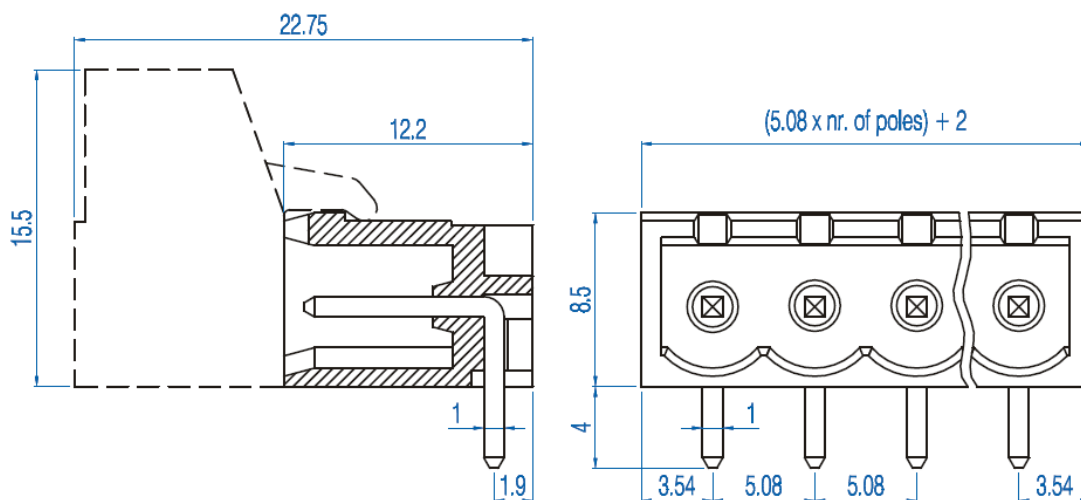
Mechanical Dimension:

Unit: mm

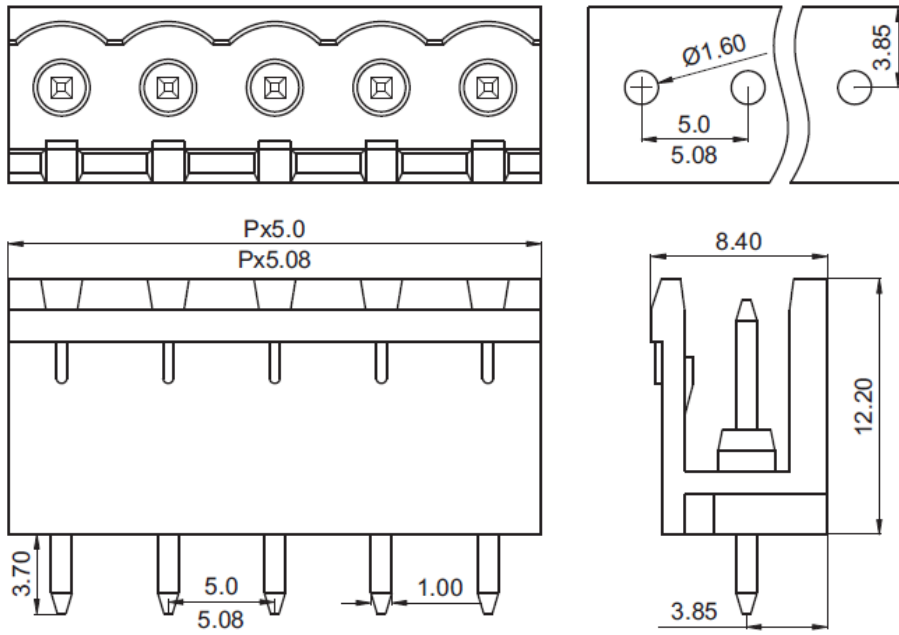
Female Plug:



Male Header Right Angle Pin:



Male Header - Straight Pin:





Handsontec.com

We have the parts for your ideas

HandsOn Technology provides a multimedia and interactive platform for everyone interested in electronics. From beginner to diehard, from student to lecturer. Information, education, inspiration and entertainment. Analog and digital, practical and theoretical; software and hardware.



open source
hardware

HandsOn Technology support Open Source Hardware (OSHW) Development Platform.

Learn : Design : Share

www.handsontec.com



The Face behind our product quality...

In a world of constant change and continuous technological development, a new or replacement product is never far away – and they all need to be tested.

Many vendors simply import and sell without checks and this cannot be the ultimate interests of anyone, particularly the customer. Every part sell on Handsotec is fully tested. So when buying from Handsotec products range, you can be confident you're getting outstanding quality and value.

We keep adding the new parts so that you can get rolling on your next project.



www.handsontec.com

[Breakout Boards & Modules](#)



[Connectors](#)



www.handsontec.com

[Electro-Mechanical Parts](#)



www.handsontec.com

[Engineering Material](#)



www.handsontec.com

[Mechanical Hardware](#)



[Electronics Components](#)

P



www.handsontec.com

[Power Supply](#)



[Arduino Board & Shield](#)

Tools & Accessory



www.handsontec.com

[Tools & Accessory](#)