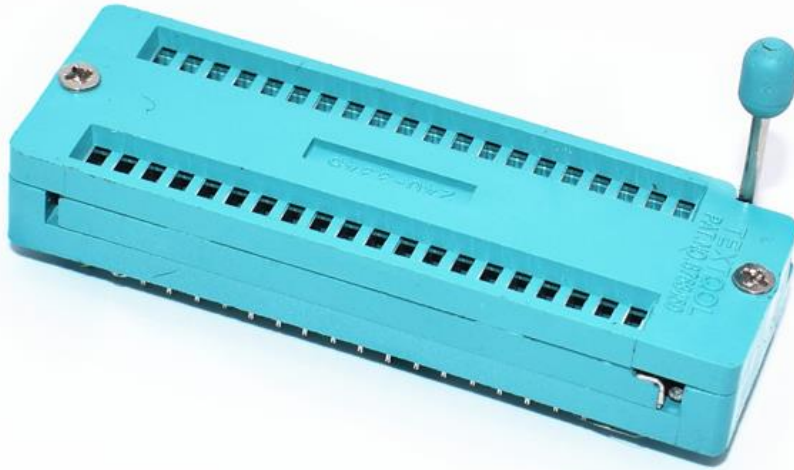




Data Specs

Universal Zero-Insertion-Force ZIF Socket

This is a high-quality, easy to use 40 pin ZIF socket that is 0.6" wide with gold-plated contacts. Compatible with 0.3" up to 0.6" wide ICs up to 40-pins. Makes for easy connecting or programming many DIP ICs.

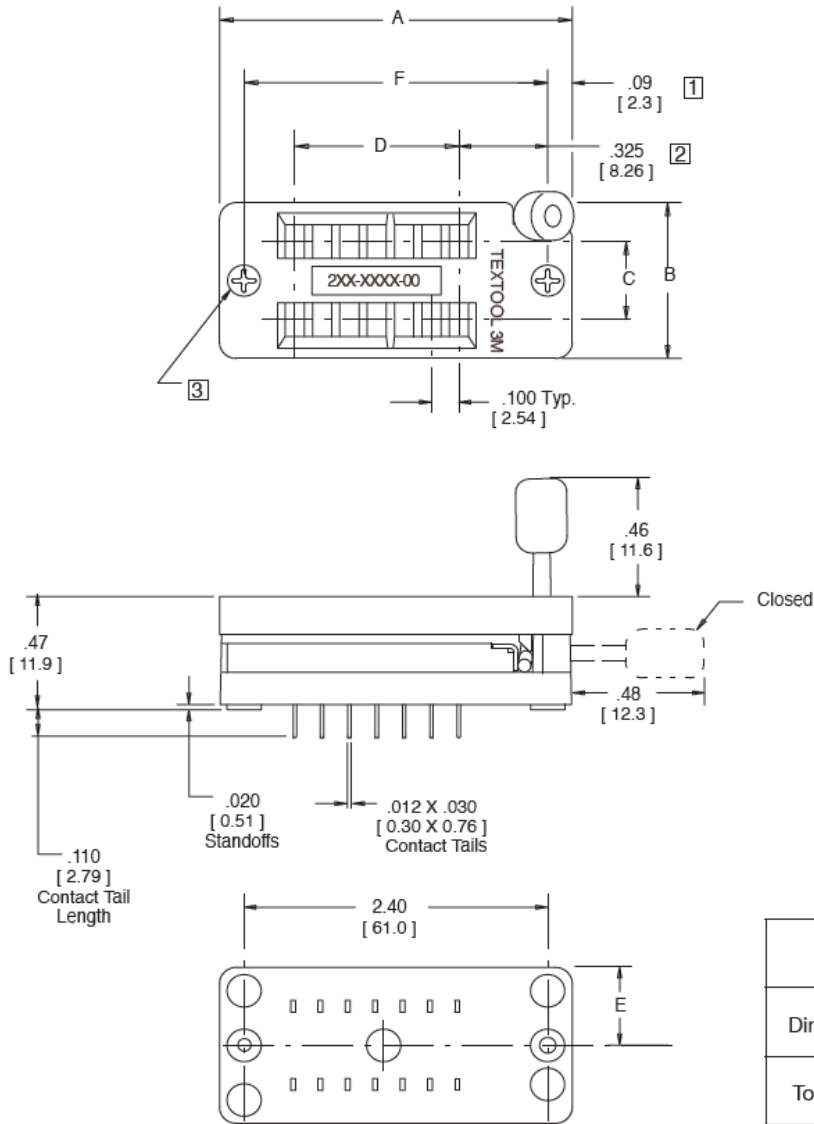


SKU: [CON1090](#)

Brief Data:

- Product: Zero Insertion Force (ZIF) Sockets.
- Number of Positions: 40 Positions.
- Pitch: 2.54mm.
- Termination Style: Through Hole.
- Lever actuated zero insertion force mechanism.
- Contact Material: Beryllium Copper.
- Current Rating: 1A.
- Flammability Rating: UL94 V-0.
- Housing Material: Polysulfone.

Mechanical Dimension:



	Tolerance $\frac{\text{inch}}{(\text{mm})}$	
Dimension	$\frac{.00}{(.0)}$	$\frac{.000}{(.00)}$
Tolerance	$\frac{\pm .010}{(\pm .25)}$	$\frac{\pm .005}{(\pm .13)}$

Contact Quantity	Device Row Spacing Accepted	Dim A	Dim B	Dim C	Dim D	Dim E	Dim F
14	.17 – .43 [4.3] – [10.9]	1.30 [33.0]	.60 [15.2]	.300 [7.62]	.60 [15.2]	.30 [7.6]	1.11 [28.2]
16	.17 – .43 [4.3] – [10.9]	1.39 [35.3]			.70 [17.8]		1.21 [30.7]
18	.17 – .43 [4.3] – [10.9]	1.49 [37.8]			.80 [20.3]		1.31 [33.3]
20	.17 – .43 [4.3] – [10.9]	1.59 [40.4]			.90 [22.9]		1.41 [35.8]
22	.27 – .53 [6.9] – [13.5]	1.69 [42.9]	.70 [17.8]	.400 [10.16]	1.00 [25.4]	.35 [8.9]	1.51 [38.4]
24	.47 – .73 [11.9] – [18.5]	1.78 [45.3]	.90 [22.9]	.600 [15.25]	1.10 [27.9]	.45 [11.4]	1.61 [40.9]
	.17 – .43 [4.3] – [10.9]	1.79 [45.5]	.60 [15.2]	.300 [7.62]		.30 [7.6]	
28	.47 – .73 [11.9] – [18.5]	1.98 [50.4]	.90 [22.9]	.600 [15.25]	1.30 [33.0]	.45 [11.4]	1.81 [46.0]
	.27 – .53 [6.9] – [13.5]	1.99 [50.5]	.70 [17.8]	.400 [10.16]		.35 [8.9]	1.83 [46.0]
32	.47 – .73 [11.9] – [18.5]	2.19 [55.5]	.90 [22.9]	.600 [15.25]	1.50 [38.1]	.45 [11.4]	2.01 [51.1]
40	.47 – .73 [11.9] – [18.5]	2.58 [65.6]			1.90 [48.3]		2.41 [61.2]
	.87 – 1.13 [22.1] – [28.7]	2.58 [65.5]	1.30 [33.0]	1.000 [25.40]	.65 [16.5]	2.40 [61.0]	
42	.47 – .73 [11.9] – [18.5]	2.68 [68.2]	.90 [22.9]	.600 [15.25]	2.0 [50.8]	.45 [11.4]	2.51 [63.8]
48	.47 – .73 [11.9] – [18.5]	2.98 [75.8]			2.30 [58.4]		2.81 [71.4]
64	.77 – 1.03 [19.8] – [26.2]	3.95 [100.3]	1.30 [33.0]	.900 [22.86]	3.10 [78.7]	65 [16.5]	3.73 [94.7]



Handsontec.com

We have the parts for your ideas

HandsOn Technology provides a multimedia and interactive platform for everyone interested in electronics. From beginner to diehard, from student to lecturer. Information, education, inspiration and entertainment. Analog and digital, practical and theoretical; software and hardware.



open source
hardware

HandsOn Technology support Open Source Hardware (OSHW) Development Platform.

Learn : Design : Share

handsontec.com



The Face behind our product quality...

In a world of constant change and continuous technological development, a new or replacement product is never far away – and they all need to be tested.

Many vendors simply import and sell without checks and this cannot be the ultimate interests of anyone, particularly the customer. Every part sold on Handsontec is fully tested. So when buying from Handsontec products range, you can be confident you're getting outstanding quality and value.

We keep adding the new parts so that you can get rolling on your next project.



www.handsontec.com

[Breakout Boards & Modules](#)



[Connectors](#)



www.handsontec.com

[Electro-Mechanical Parts](#)



www.handsontec.com

[Engineering Material](#)



www.handsontec.com

[Mechanical Hardware](#)



[Electronics Components](#)

P



www.handsontec.com

[Power Supply](#)



[Arduino Board & Shield](#)

[Tools & Accessory](#)



www.handsontec.com

[Tools & Accessory](#)