

KBR -M, -MS, -MSA, -MSB Series Ceramic Resonators

MHz Band Ceramic Resonators

f_o : 2.00 to 13.00 MHz

FEATURES

- 1) Ultracompact, lightweight design
- 2) Resistant to damage from impact and vibration
- 3) Excellent temperature stability ($\pm 0.3\%$)
- 4) Low cost
- 5) Bulk packaged 500 pieces per bag or 2000 pieces per reel
- 6) Sold in increments of 200 pieces

HOW TO ORDER

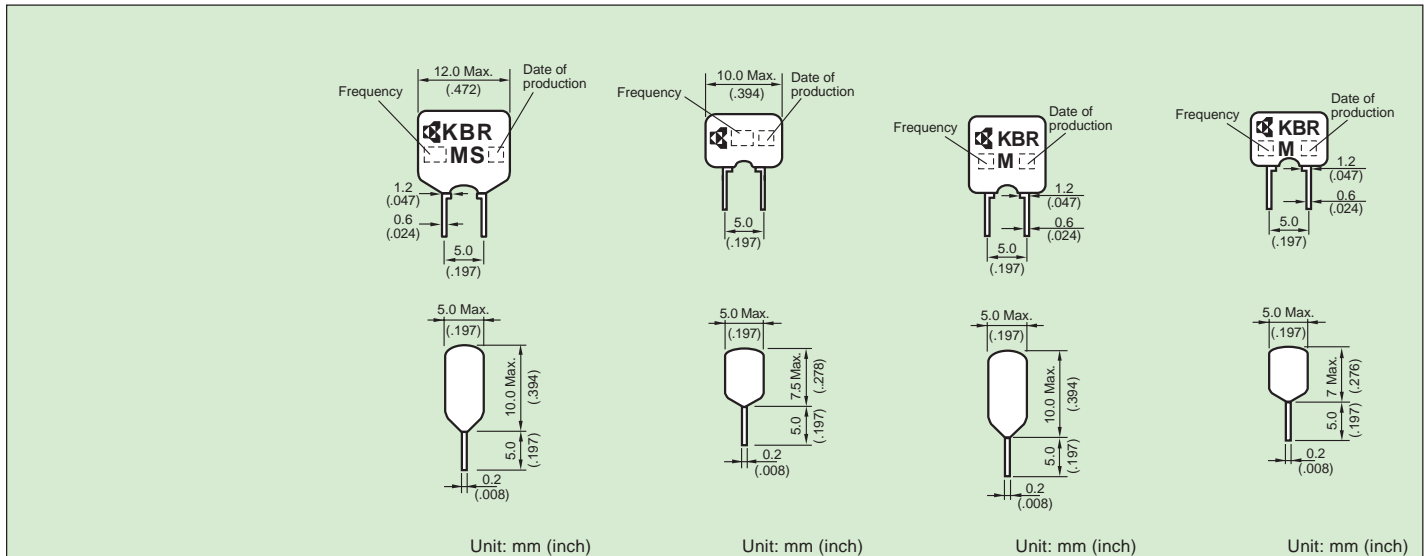
KBR - 4.00 MSA TR

- ① ② ③ ④
- ① Type: (Kyocera Bulk Resonator)
 - ② Oscillation frequency (MHz)
 - ③ Resonator type:
 MS = 2.00 to 3.57 MHz
 MSA = 3.58 to 8.00 MHz (Water resistant)
 MSB = 3.58 to 6.00 MHz ("No-Clean" Process only)
 M = 6.01 to 13.00 MHz
 - ④ Packaging:
 TR = Tape and reel
 □ = Bulk



SPECIFICATIONS (KBR-□MS/KBR-□MSA/KBR-□MSB/KBR-□M Series)

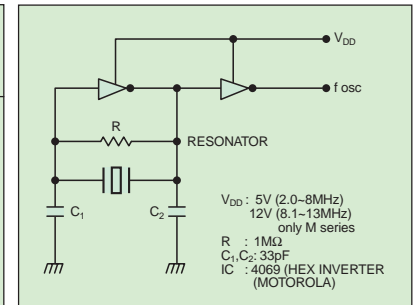
Series	MS	MSA, -MSB	M	M
Dimension	Fig. A	Fig. B	Fig. C	Fig. D
Oscillation Frequency	2.00 to 3.57 MHz	3.58 to 8.00 MHz	6.01 to 6.99 MHz	7.00 to 13.00 MHz
Frequency Tolerance	$\pm 0.5\%$	$\pm 0.5\%$	$\pm 0.5\%$	$\pm 0.5\%$
Resonant Impedance	100 Max	30 Max	40 Max	40 Max
Temperature Characteristic (-20 to +80°C)	$\pm 0.3\%$	$\pm 0.3\%$	$\pm 0.5\%$	$\pm 0.5\%$



KBR-3.58MSA - 200 series for Telephone D.T.M.F. Applications

P/N	Frequency	Frequency Tolerance	Resonant Resistance	Temperature Stability (-20 to +80°C)	Dimensions
KBR-3.58MSA-201	3.5795MHz	+0 -0.25%	30 Max	$\pm 0.3\%$	Fig. B
KBR-3.58MSA-202		+0.15 -0.10%			
KBR-3.58MSA-203		+0.30 -0.05%			
KBR-3.58MSA-204		+0.45 +0.20%			
KBR-3.58MSA-205		+0.60 +0.35%			
KBR-3.58MSA-206		-0.30 -0.55%			
KBR-3.58MSA-207		-0.15 -0.40%			

TEST CIRCUIT



HandsOn Technology

<http://www.handsontec.com>

creativity for tomorrow's better living...

HandsOn Tech provides a multimedia and interactive platform for everyone interested in electronics. From beginner to diehard, from student to lecturer... Information, education, inspiration and entertainment. Analog and digital; practical and theoretical; software and hardware...



HandsOn Technology support Open Source Hardware(OSHW) Development Platform.

Learn : Design : Share

www.handsontec.com

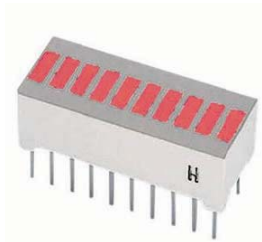


www.handsontec.com

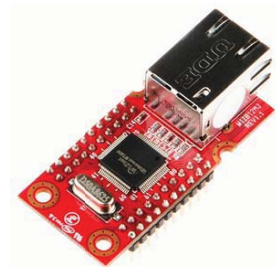
Welcome to Handsontec Store



LCD+Keyboard Shield



10-Segments LED Bar Display



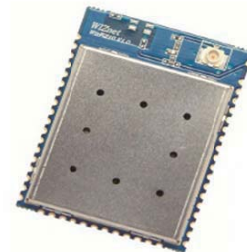
Ethernet Module



Arduino Uno



MicroSD Breakout Board



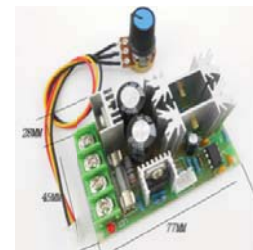
WiFi Module



20x4 LCD Display Module



Stepper Motor Driver



PWM Motor Speed Controller



www.handsontec.com

Breakout Board & Modules



www.handsontec.com

Integrated Circuits



www.handsontec.com

Discrete Parts



www.handsontec.com

Assembled Kits



www.handsontec.com

Connectors