



## Data Specs

### LMKxxUU Square Flange Linear Ball Bearing Bushing

Linear Ball Bushing is widely used in precision equipments; computer and peripheral equipments, measuring equipments, auto recording equipments, and 3D measuring equipments, and linear motion system in machine for mass production; multi-axis drilling machines, punching press, tool grinders, auto-gas cutters, printing machines, CNC router, food packing machines, and etc



**SKU:** [MCH-1016](#)

#### **Brief Data:**

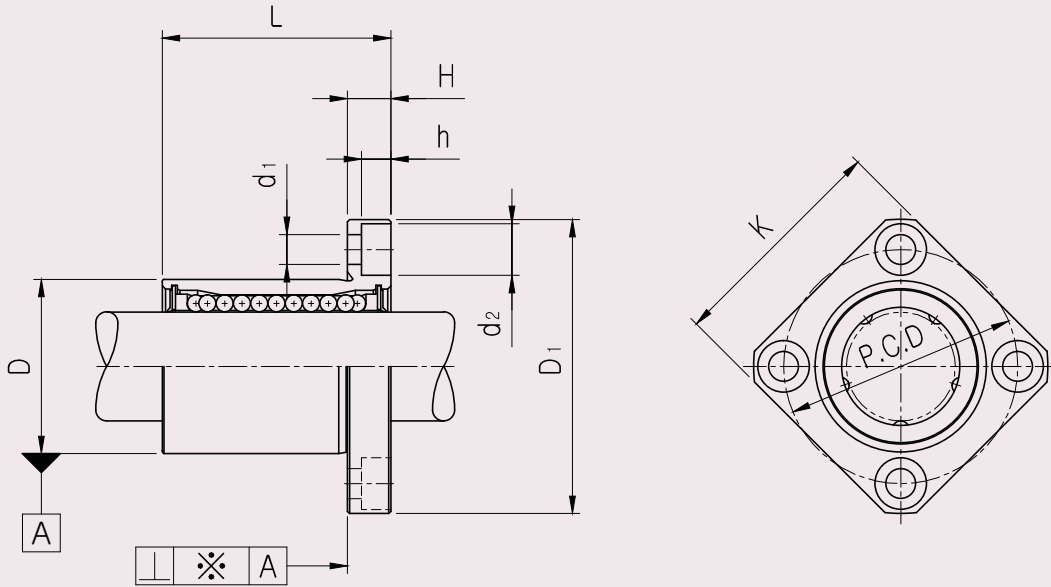
- Product Name: Flange Linear Ball Bushing
- Industrial Model: LMKxxUU
- Material: Carbon Steel, Rubber
- Inner Diameter:  $\text{Ø}10\text{mm}/0.4''$
- Outer Diameter (Shaft Dia):  $\text{Ø}19\text{mm}/0.8''$ .
- Base Flange Width: 30x30mm
- Overall Size: 29x30x30mm/1"x1.2"x1.2"(L\*W\*H)
- Mounted Bolt Hole size: 4mm/0.16"
- Color: Silver Tone.
- Net Weight: approximate 51g.

**Mechanical Dimension:**

*Refer to table for detail dimension on next page.*

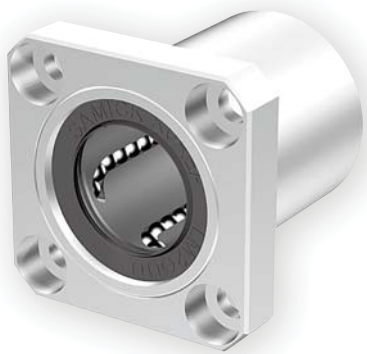
# LMK FLANGED LINEAR BUSHING

● Drawing



● Part Number Notation

**LMK 20 UU - A N S**



- SAMICK Square Flanged Linear Bushing
- Nominal Shaft Diameter
- Seal

Blank	No Seal
UU	Both Side Seal
U	One Side Seal

- Retainer (material)

Blank	Resin Retainer(Standard)
A	Steel Retainer(High temperature) <sup>*1</sup>

- Outer-sleeves (by corrosion resistance)

Blank	Standard(SUJ2)
N	Electroless nickel plating
R	Raydent treatment

- Ball type (material)

Blank	High carbon bearing steel ball(Standard)
S	Stainless steel ball

<sup>\*1</sup> Steel retainer applicable from LMK6 to LMK25 only  
(LMK8S applicable with resin retainer only)

# LMK FLANGED LINEAR BUSHING

PART NUMBER		WORKING BORE DIAMETER		D		L		D <sub>1</sub>		H	PCD	K	d <sub>1</sub>	d <sub>2</sub>	h	SQUAR ENESS *(μm)*	BASIC LOAD RATING(N)		NO. OF BALL ROW	WEIGHT (gf) <sup>*2</sup>
Resin	Steel	dr. (mm)	CLEAR NCE (mm)	mm	CLEAR NCE (mm)	mm	CLEAR NCE (mm)	mm	CLEAR NCE (mm)								DYNAMIC (C) <sup>*1</sup>	STATIC (Co)		
LMK6UU	LMK6-A	6		12		19		28		5	20	22	3.4	6.5	3.3	12	200	260	4	26.5
LMK8SUU		8		15	0 -0.011	17		32		5	24	25	3.4	6.5	3.3	12	170	220	4	34
LMK8UU	LMK8-A	8		15		24		32		5	24	25	3.4	6.5	3.3	12	260	400	4	40
LMK10UU	LMK10-A	10	0 -0.009	19		29	0 -0.2	40		6	29	30	4.5	8.0	4.4	12	370	540	4	78
LMK12UU	LMK12-A	12		21	0 -0.013	30		42		6	32	32	4.5	8.0	4.4	12	410	590	4	76
LMK13UU	LMK13-A	13		23		32		43	0 -0.2	6	33	34	4.5	8.0	4.4	12	500	770	4	94
LMK16UU	LMK16-A	16		28		37		48		6	38	37	4.5	8.0	4.4	12	770	1170	5	134
LMK20UU	LMK20-A	20		32		42		54		8	43	42	5.5	9.5	5.4	15	860	1370	5	180
LMK25UU	LMK25-A	25	0 -0.010	40	0 -0.016	59		62		8	51	50	5.5	9.5	5.4	15	980	1560	6	340
LMK30UU		30		45		64		74		10	60	58	6.6	11.0	6.5	15	1560	2740	6	460
LMK35UU		35		52		70		82		10	67	64	6.6	11.0	6.5	20	1660	3130	6	795
LMK40UU		40	0 -0.012	60	0 -0.019	80	0 -0.3	96		13	78	75	9.0	14.0	8.6	20	2150	4010	6	1054
LMK50UU		50		80		100		116	0 -0.3	13	98	92	9.0	14.0	8.6	20	3820	7930	6	2200
LMK60UU		60	0 -0.015	90	0 -0.022	110		134		18	112	106	11.0	17.5	10.8	25	4700	9990	6	2960
LMK80UU		80		120		140		164		18	142	136	11.0	17.5	11.1	25	10130	12000	6	4900

- ★1 Dynamic load rating is based on the nominal life of 50km  
In case of 100km, C on the table need to be divided by 1.26  
Ex) 50km basic dynamic load rating(C) of LMK12 = 410N  
100km basic dynamic load rating(C<sub>100</sub>) of LMK12 = 410/1.26 = 325.40N
- ★2 Based on the weight of resin retainer
- ★3 Main unit : mm
- ★4 1N ≒ 0.102kgf



# Handsontec.com

*We have the parts for your ideas*

---

HandsOn Technology provides a multimedia and interactive platform for everyone interested in electronics. From beginner to diehard, from student to lecturer. Information, education, inspiration and entertainment. Analog and digital, practical and theoretical; software and hardware.



open source  
hardware

HandsOn Technology support Open Source Hardware (OSHW) Development Platform.

*Learn : Design : Share*

*[www.handsontec.com](http://www.handsontec.com)*

The Face behind our product quality...

In a world of constant change and continuous technological development, a new or replacement product is never far away – and they all need to be tested.

Many vendors simply import and sell without checks and this cannot be the ultimate interests of anyone, particularly the customer. Every part sell on Handsotec is fully tested. So when buying from Handsotec products range, you can be confident you're getting outstanding quality and value.

We keep adding the new parts so that you can get rolling on your next project.



[www.handsontec.com](http://www.handsontec.com)

[Breakout Boards & Modules](#)



[Connectors](#)



[www.handsontec.com](http://www.handsontec.com)

[Electro-Mechanical Parts](#)



[www.handsontec.com](http://www.handsontec.com)

[Engineering Material](#)



[www.handsontec.com](http://www.handsontec.com)

[Mechanical Hardware](#)



[Electronics Components](#)

P



[www.handsontec.com](http://www.handsontec.com)

[Power Supply](#)



[Arduino Board & Shield](#)

Tools & Accessory



[www.handsontec.com](http://www.handsontec.com)

[Tools & Accessory](#)