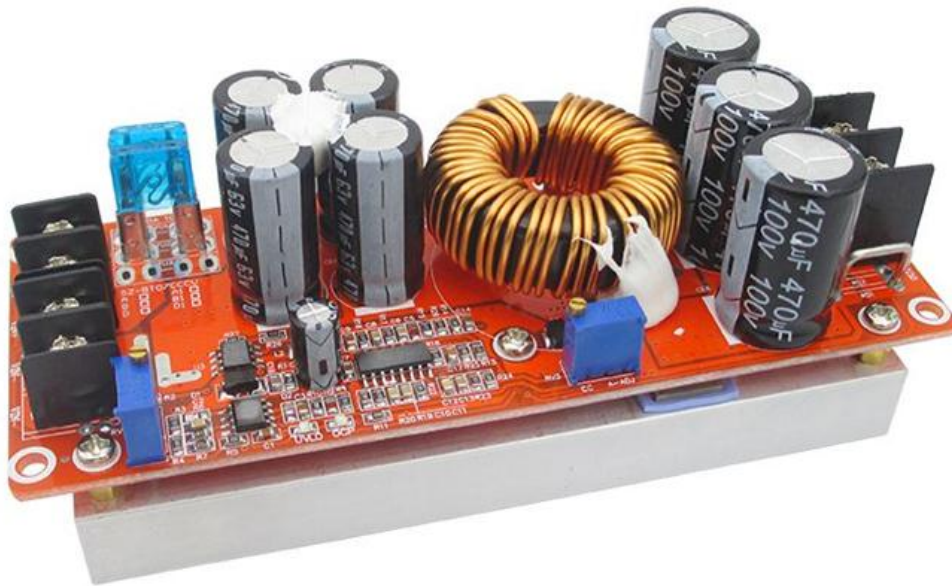




1200W High Power DC-DC Boost Converter

20A 1200W DC-DC Step Up Converter Module. Constant Current (CC) and Constant Voltage (CV) control with input reverse/under voltage protection.

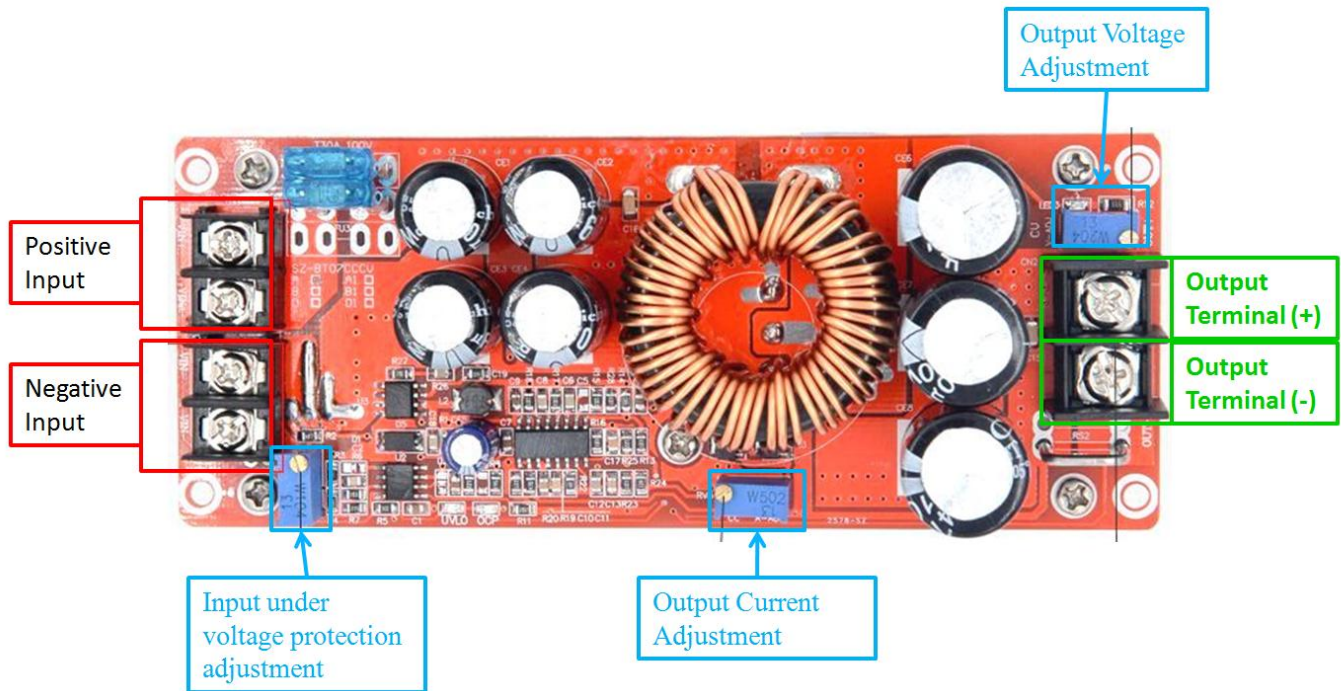


SKU: [MDU-1047](#)

Brief Data:

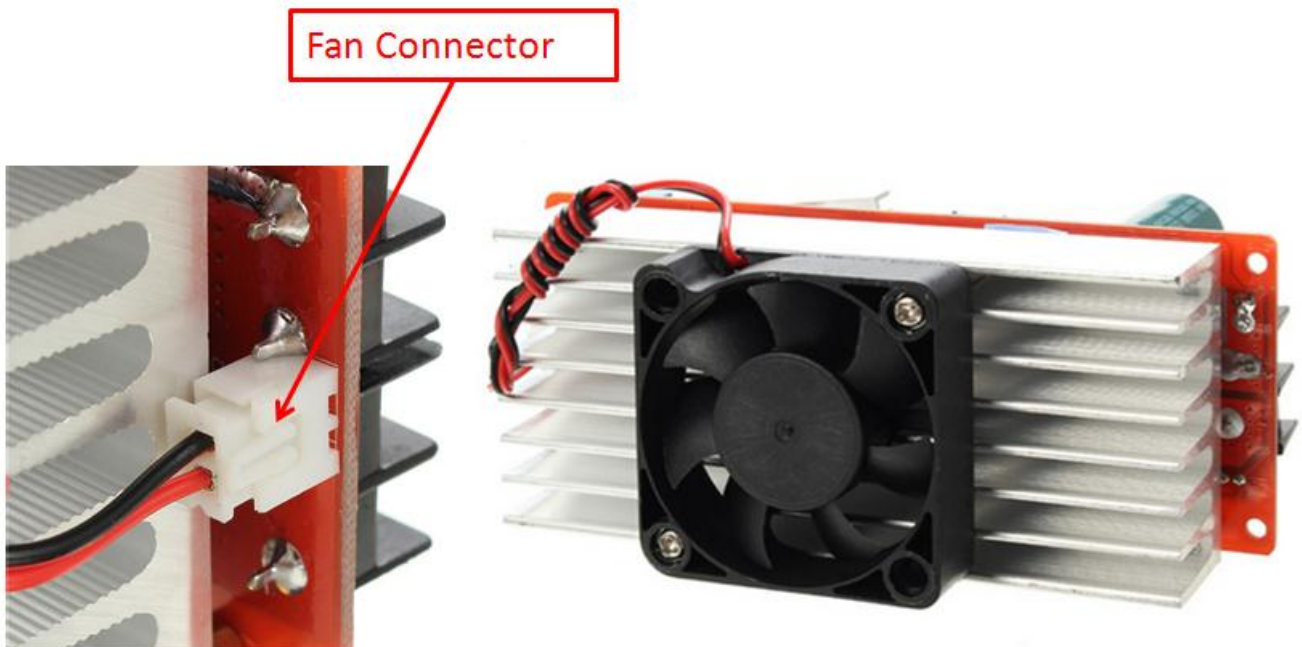
- Input voltage: 10-60VDC.
- Input Current: 20A.
- Output voltage: 12-80VDC continuously adjustable.
- Output Current: 20A MAX. If over 10A add ventilation fan for heat dissipation.
- Constant Current Range: 0.5-20A.
- Switching frequency: 150KHz.
- Conversion efficiency: 92%~ 97%.
- Over current protection.
- Input reverse/under voltage circuit protection with 150A MOSFET.
- If the constant current mode is used to set the voltage, the constant voltage must be higher than the input voltage. Do not use the method of short circuit output to adjust the output current, the module design of the boost converter cannot be adjusted in short circuit method.
- Module dimensions: 116x52x15mm (L x W x H).
- Weight: 260 grams.

Functional Block Diagram:



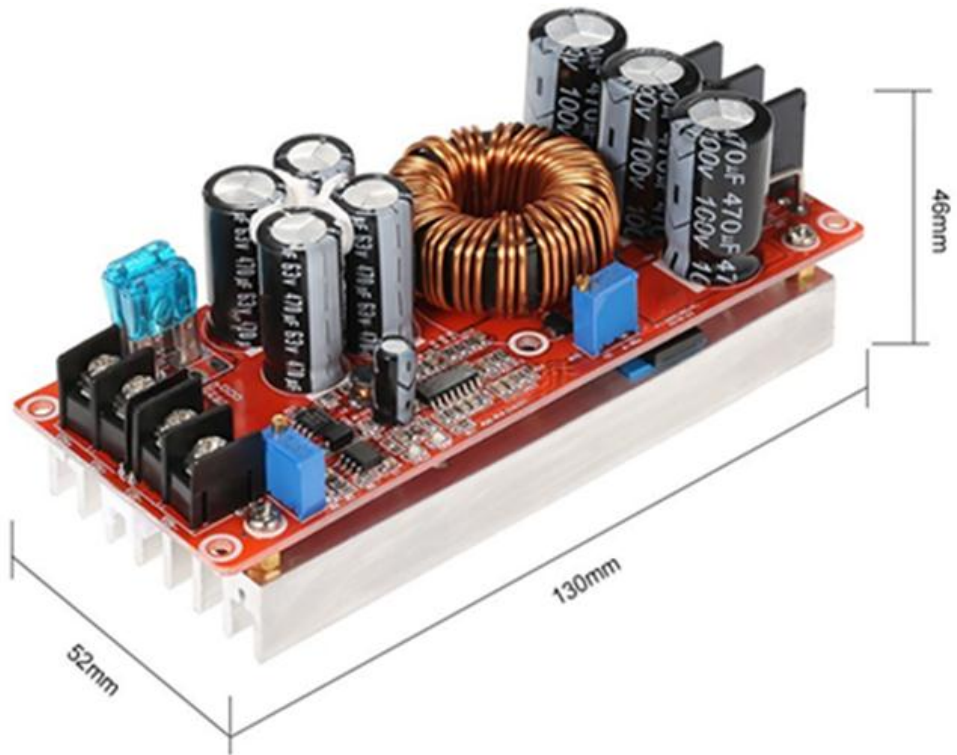
Application Examples:

1. Mounted with Ventilation Fan for output current more than 10A.



Recommended Fan: [GDT5010S12B](#) , (50x50x10)mm DC Brushless Cooling Fan.

Mechanical Dimension:





Handsontec.com

We have the parts for your ideas

HandsOn Technology provides a multimedia and interactive platform for everyone interested in electronics. From beginner to diehard, from student to lecturer. Information, education, inspiration and entertainment. Analog and digital, practical and theoretical; software and hardware.



open source
hardware

HandsOn Technology support Open Source Hardware (OSHW) Development Platform.

Learn : Design : Share

www.handsontec.com

The Face behind our product quality...

In a world of constant change and continuous technological development, a new or replacement product is never far away – and they all need to be tested.

Many vendors simply import and sell without checks and this cannot be the ultimate interests of anyone, particularly the customer. Every part sell on Handsotec is fully tested. So when buying from Handsontec products range, you can be confident you're getting outstanding quality and value.

We keep adding the new parts so that you can get rolling on your next project.



www.handsontec.com

[Breakout Boards & Modules](#)



[Connectors](#)



www.handsontec.com

[Electro-Mechanical Parts](#)



www.handsontec.com

[Engineering Material](#)



www.handsontec.com

[Mechanical Hardware](#)



[Electronics Components](#)

P



www.handsontec.com

[Power Supply](#)



[Arduino Board & Shield](#)

[Tools & Accessory](#)



www.handsontec.com

[Tools & Accessory](#)