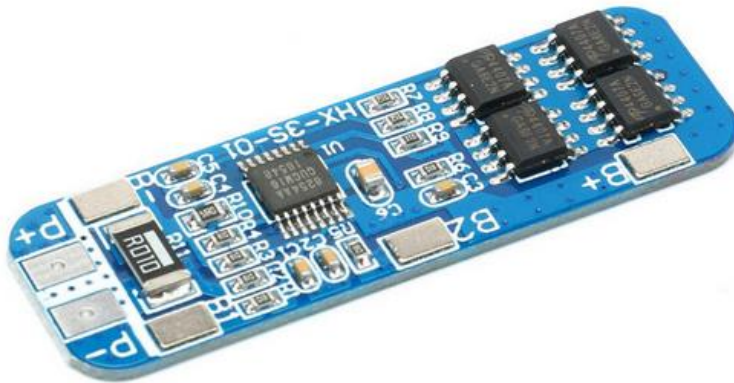




## 3-Cells Lithium Battery Charger with Protection

This is a protection module for 3-serial-cell lithium-ion / lithium polymer rechargeable batteries and includes a high-accuracy voltage detector and delay circuit. Automatically cancel protection after fault conditions removed. With Protection function of overcharge, over-discharge, short circuit and over-current protection. Suitable for lithium battery pack of 11.1V, 12V & 12.6V.

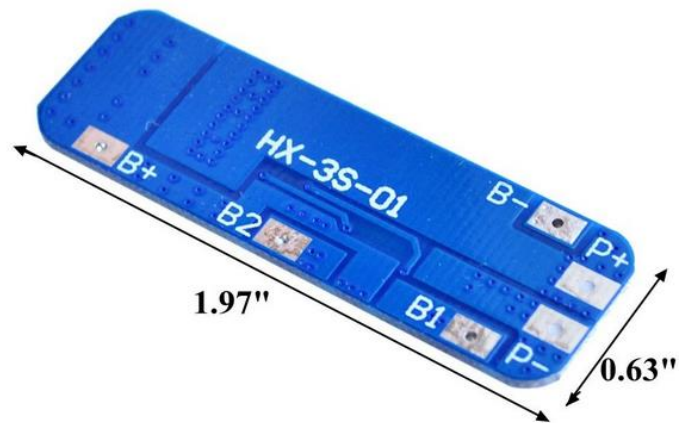


**SKU: PSU1012**

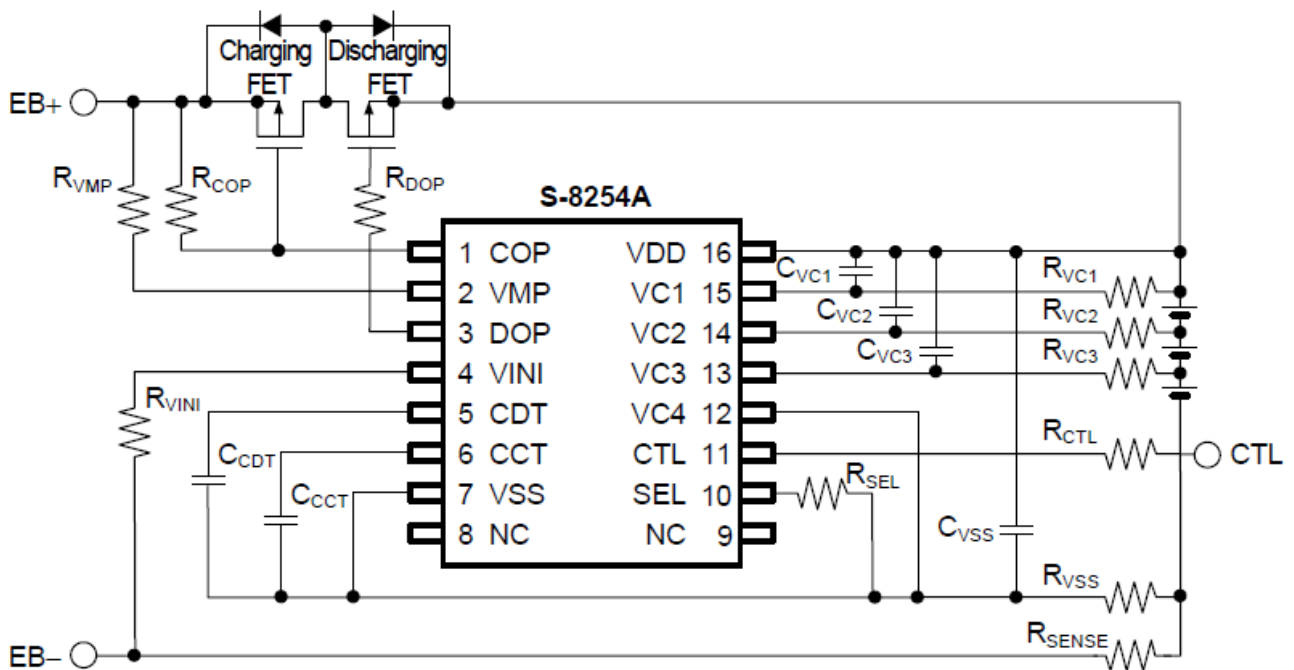
### Brief Data:

- Overcharge Voltage Detection:  $3.9\sim 4.35V \pm 0.05V$ .
- Over discharge voltage Detection:  $2.3\sim 3.0V \pm 0.05V$ .
- Maximum operating current: 6~8A.
- Quiescent current:  $< 30\mu A$ .
- Internal resistance:  $< 100m\ \Omega$ .
- Charging voltage: 12.6V ~ 13V.
- Working temperature:  $-40\sim +50^{\circ}C$
- Short circuit protection: Yes, delayed self recovery.
- Dimensions: (50 x 16 x 1) mm

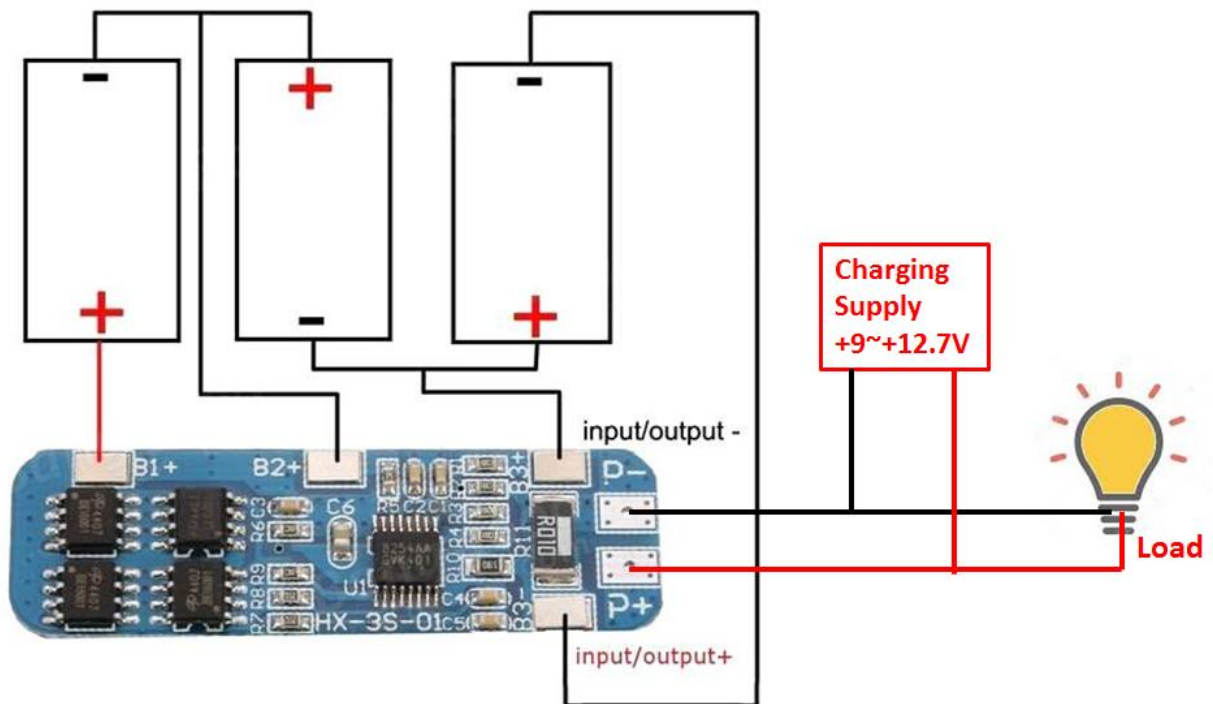
## Board Dimension:



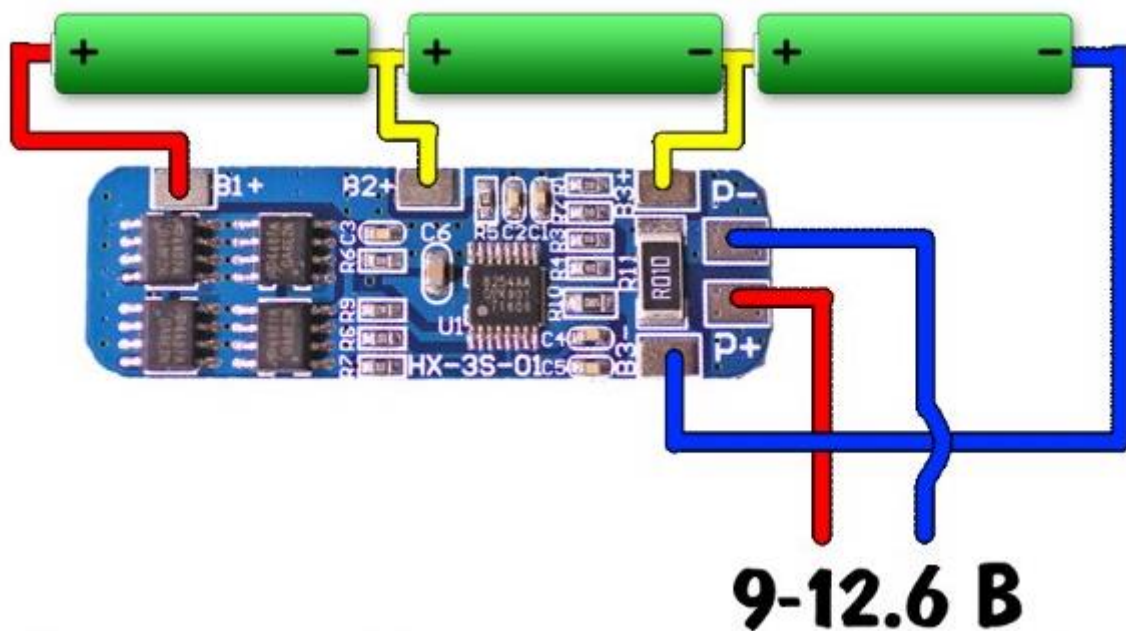
## Schematic Diagram:



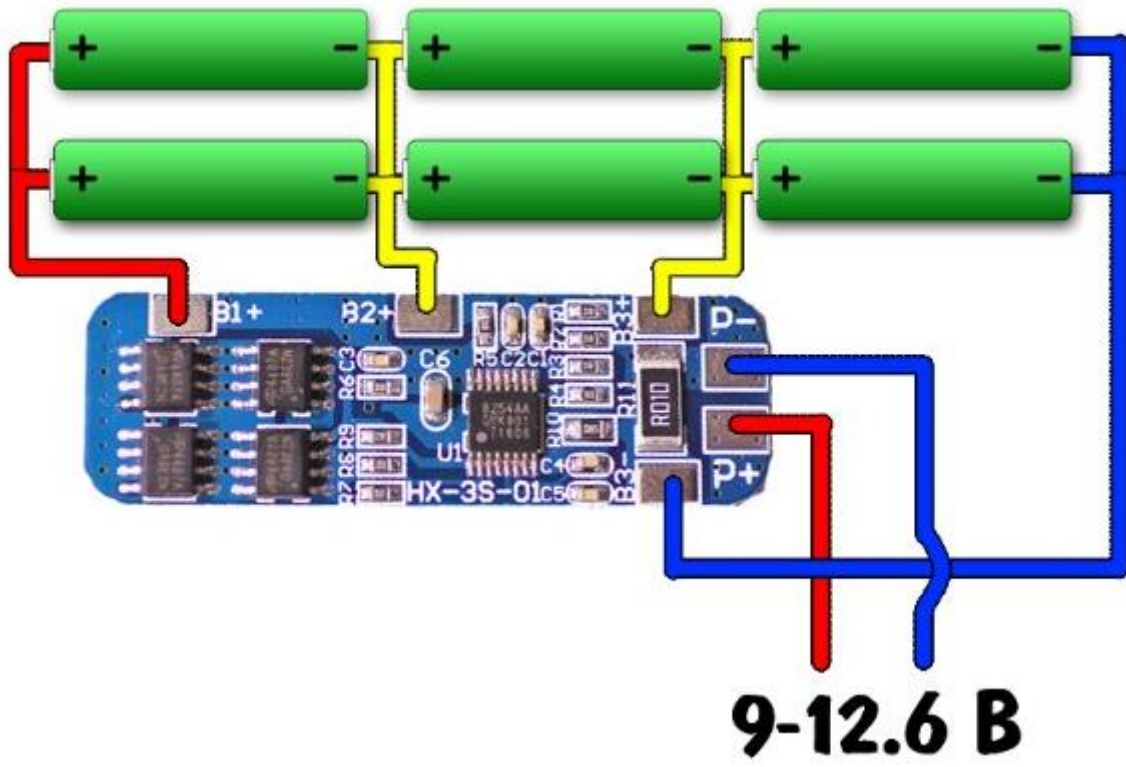
## Basic Connection Diagram:



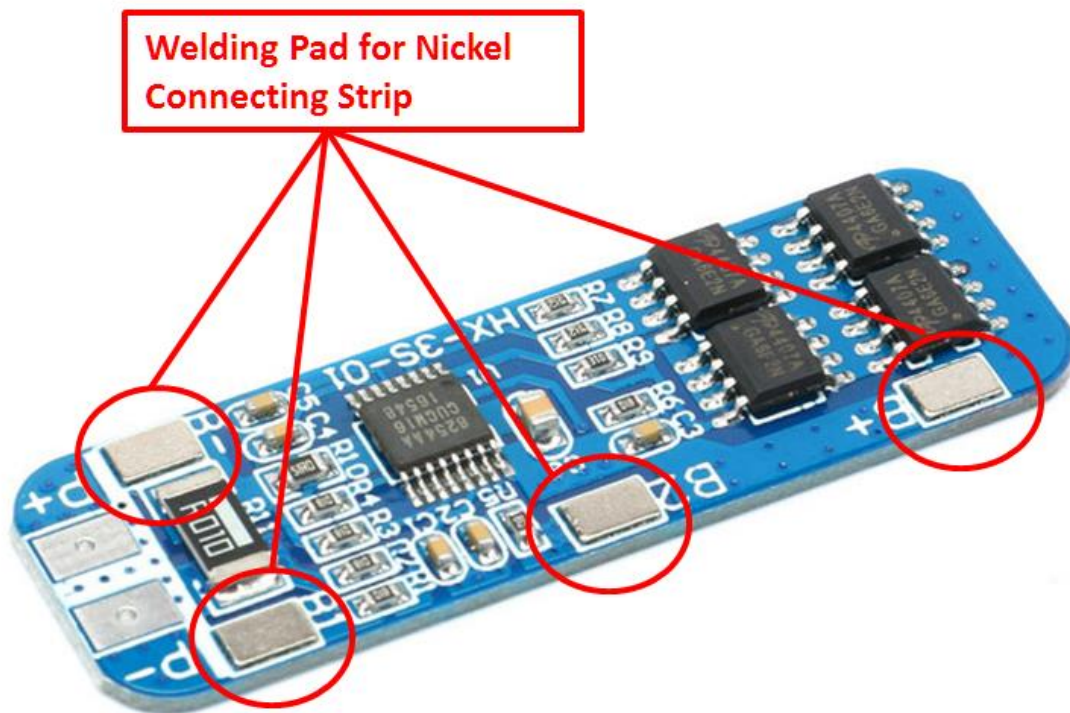
## Application Example:



Charging 3S1P (3 Series 1 Parallel)



Charging 3S2P (3 Series 2 Parallel) Configuration





# Handsontec.com

**We have the parts for your ideas**

---

HandsOn Technology provides a multimedia and interactive platform for everyone interested in electronics. From beginner to diehard, from student to lecturer. Information, education, inspiration and entertainment. Analog and digital, practical and theoretical; software and hardware.



open source  
hardware

HandsOn Technology support Open Source Hardware (OSHW) Development Platform.

*Learn : Design : Share*

*[www.handsontec.com](http://www.handsontec.com)*

**The Face behind our product quality...**

**In a world of constant change and continuous technological development, a new or replacement product is never far away – and they all need to be tested.**

**Many vendors simply import and sell without checks and this cannot be the ultimate interests of anyone, particularly the customer. Every part sell on Handsotec is fully tested. So when buying from Handsotec products range, you can be confident you're getting outstanding quality and value.**

**We keep adding the new parts so that you can get rolling on your next project.**



[www.handsontec.com](http://www.handsontec.com)

[Breakout Boards & Modules](#)



[Connectors](#)



[www.handsontec.com](http://www.handsontec.com)

[Electro-Mechanical Parts](#)



[www.handsontec.com](http://www.handsontec.com)

[Engineering Material](#)



[www.handsontec.com](http://www.handsontec.com)

[Mechanical Hardware](#)



[Electronics Components](#)

P



[www.handsontec.com](http://www.handsontec.com)

[Power Supply](#)



[Arduino Board & Shield](#)

Tools & Accessory



[www.handsontec.com](http://www.handsontec.com)

[Tools & Accessory](#)