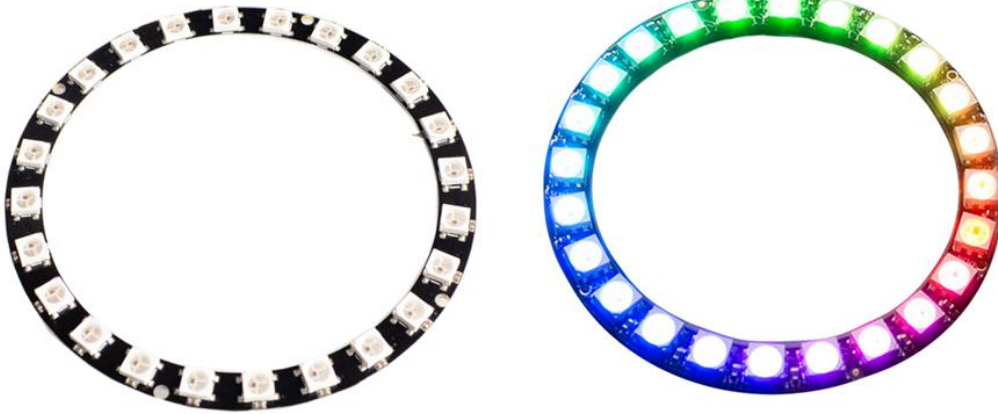




WS2812B RGB Neopixel LED Ring

These LED strips are just about the best way to get tons of colorful LED light with a minimum of wiring and fuss! Each ring is 8cm in diameter and contains 24 light elements. Each element contains a red, green, and blue LED, as well as a tiny WS2812 controller chip. This means that each element is individually addressable and can accept brightness values of 0-255 for each of its LEDs, giving you 24 bits of color precision overall. Each LED is activated by using a special serial data protocol. This protocol allows many LEDs to be daisy chained together so that one microcontroller can control the whole lot – with a single data signal. Any number of these LEDs can be chained together by connecting one module's data-out (DO) pin to another's data-in (DI) pin. This LED is compatible with Neopixel & FastLED Arduino Library.



SKU: [DSP-1181](#)

Brief Data:

- Ring Diameter: Ø8cm.
- Ring of 24 pieces of 5050 Red, Green and Blue (RGB) LEDs.
- Each LED element is individually addressable with 24-bit color (8 bits each for R, G & B), 16 million colors.
- 3-Wires easy connection, 2-power supply lines and 1 data line.
- Interface: Serial (Shift Register).
- Compatible with Neopixel & FastLED Arduion Library.
- Data Speed: 800Kbps.
- Mounting Hole: 4-position M2 Screw.
- Power Supply: 5V.

Application Introducing to WS2812B LED Strip with Arduino:

This is the coolest type of LED strips in the market today. You can control the brightness and the color of each LED individually, which allows you to produce amazing and complex effects in a simple way. This LED strip is made by WS2812B LEDs wired in series. These LEDs have a IC built right into the LED. This allows a communication via a one-wire interface. This means that you can control lots of LEDs using just one digital pin of your Arduino. In the following figure you can see the chip inside the LED. The LED is an RGB LED and works like so.

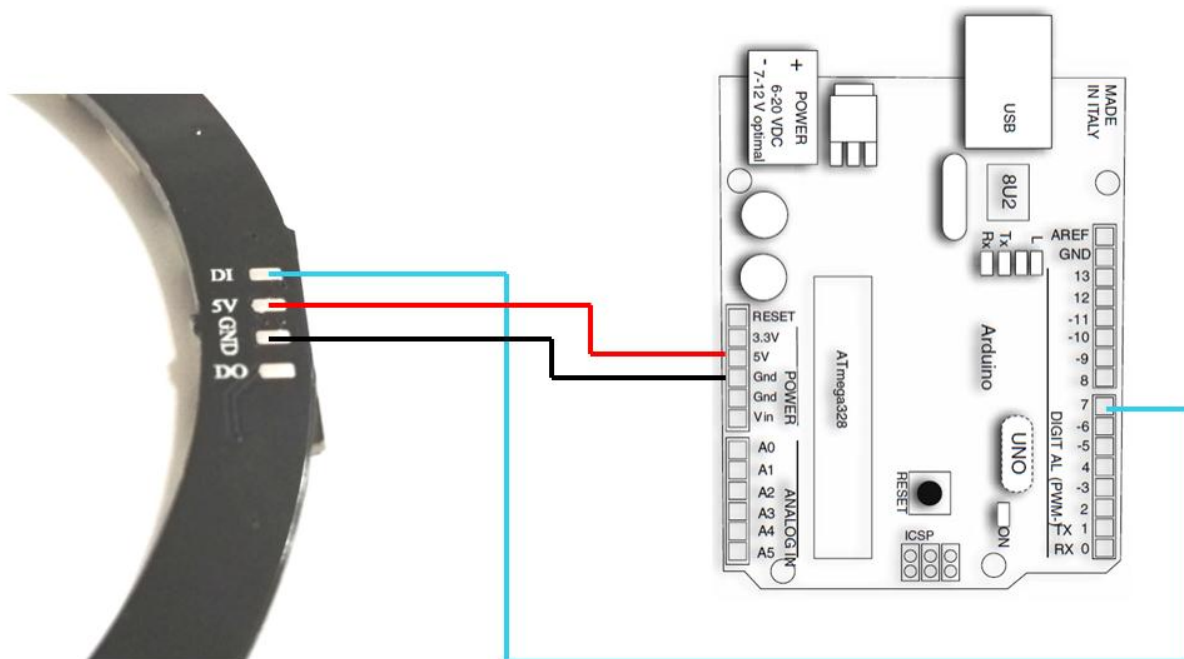


Powering the WS2812B LED Strip:

The LED ring should be powered using a 5V power source. At 5V, each LED draws about 50mA, when set to its full brightness. This means that for every 24 LEDs, the strip may draw as much as 1.2 A. Make sure you select a power source that matches the module's needs. If you end up using an external supply, don't forget to connect the power supply ground to the Arduino ground.

Arduino Schematics:

In this example, the WS2812B LED ring will be powered using the 5V from Arduino board. In this case, we are controlling 24-LEDs per ring. Bear in mind that if you want to control many LEDs, you'll need to use an external power supply.



Code:

To control the WS2812B LED ring, you'll need to download the **FastLED** library.

Installing the FastLED library

1. [Click here to download the FastLED library](#). You should have a .zip folder in your Downloads folder
2. Unzip the .zip folder and you should get **FastLED-master** folder
3. Rename your folder from **FastLED-master** to **FastLED**
4. Move the **FastLED** folder to your Arduino IDE installation **libraries** folder
5. Finally, re-open your Arduino IDE

After installing the needed library, upload the following code to your Arduino board (this is an example sketch provided in the library examples folder). Go to File > Examples > FastLED > ColorPalette .

Remember to make modification on the "LED_PIN" and "NUM_LEDS" according to your Arduino board connection and number of LEDs on the ring. Below example: we are using D7 pin to DI and 24x LEDs on the ring.

```
ColorPalette | Arduino 1.8.1
File Edit Sketch Tools Help
ColorPalette $
#include <FastLED.h>

#define LED_PIN      7
#define NUM_LEDS     24
#define BRIGHTNESS   64
#define LED_TYPE     WS2811
#define COLOR_ORDER  GRB
CRGB leds[NUM_LEDS];

#define UPDATES_PER_SECOND 100
```

Demonstration:

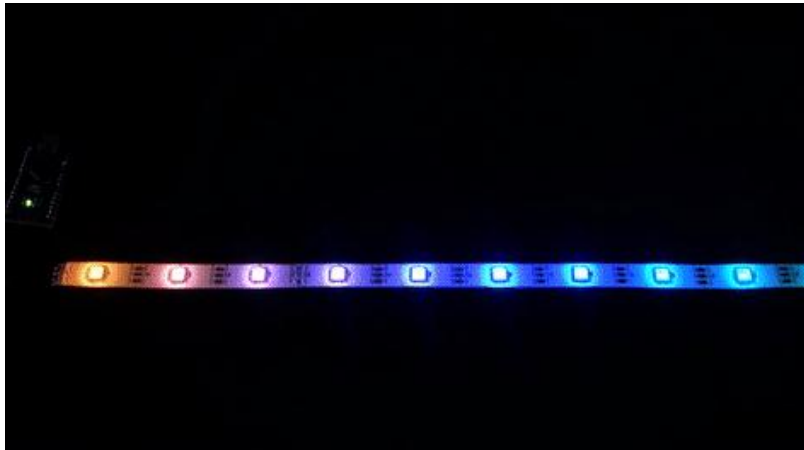
In the end, this is what you'll have. Amazing effects like this one:



Or this one...



And so on...

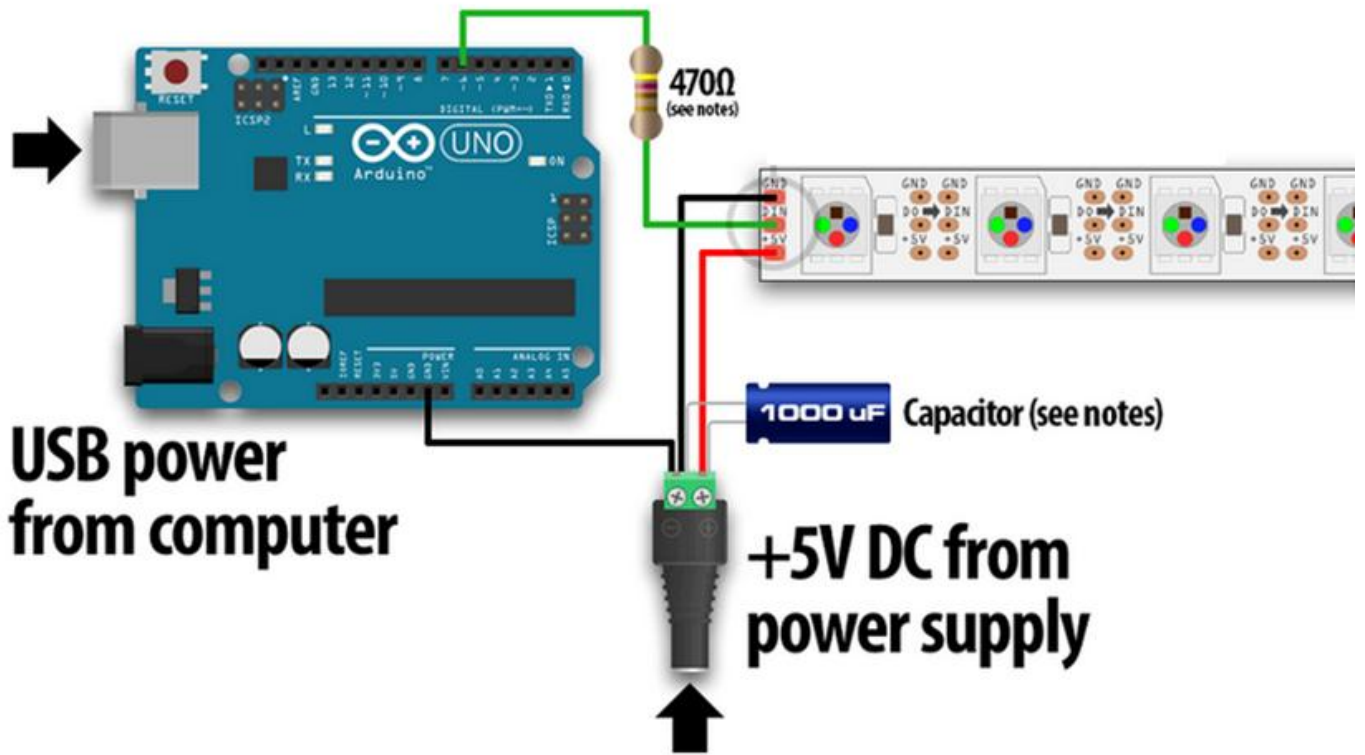


[Youtube Video Demo](#)

Suggest Connection Using External Power Supply:

For Arduino boards with a separate +5V DC power supply for the WS2812B RGB Strip: connect the +5V input on the strip to the + (positive) terminal on the power supply (don't connect to the Arduino), DIN to digital pin 6 (or any digital of your choice) on the Arduino, and – (minus or GND) on the strip must connect to both the minus (–) terminal on the DC supply and a GND pin on the Arduino (there are usually several — any will do).

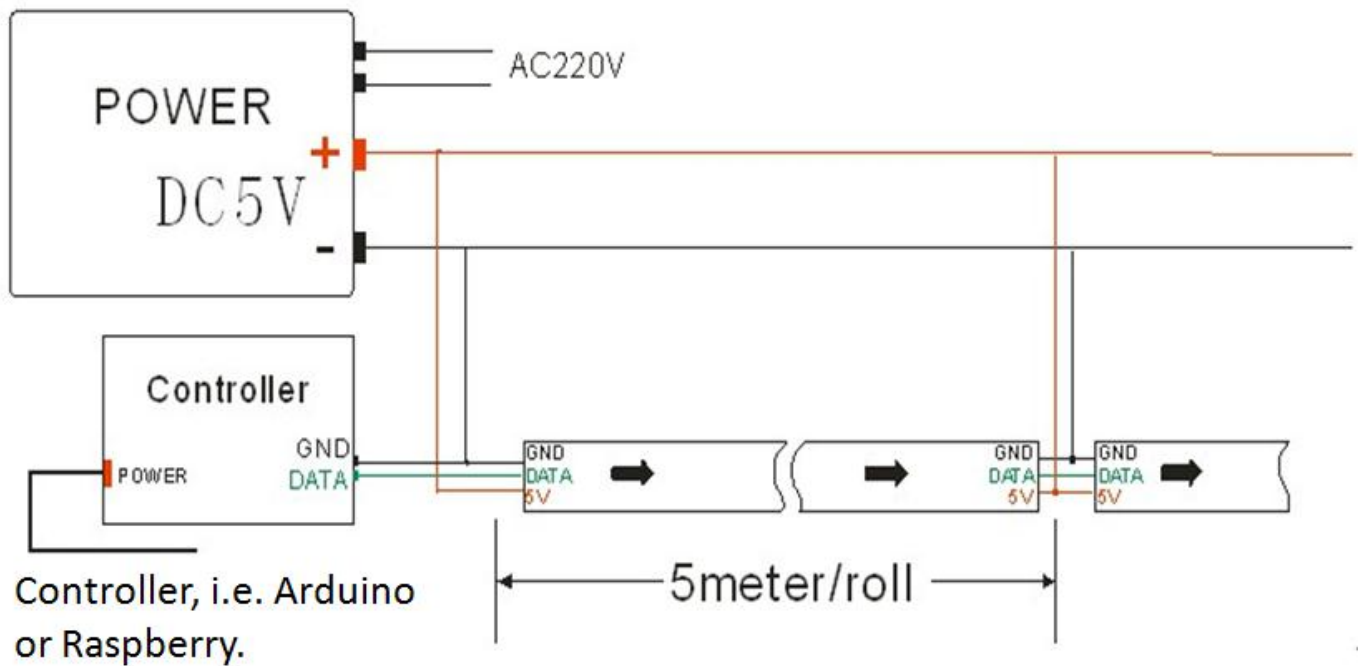
When using a DC power supply, or an especially large battery, we recommend adding a large capacitor (1000 μ F, 6.3V or higher) across the + and – terminals. This prevents the initial onrush of current from damaging the LEDs.



Adding a $\sim 470\Omega$ resistor between the microcontroller's data pin and the data input on the RGB LED can help prevent spikes on the data line that can damage the first LED. Please add one between the micro and RGB LED!

Note: Suggest to use this external power supply connection if powering more than 60-LEDs as +5V on-board Arduino may not enough to power this.

Connecting Schematic Using 220VAC external Power Adapter:



Web Resources:

1. FastLED Wiki > <https://github.com/FastLED/FastLED/wiki>
2. [Adafruit NeoPixel Userguide.](#)
3. [Adafruit NeoPixel Library.](#)



Handsontec.com

We have the parts for your ideas

HandsOn Technology provides a multimedia and interactive platform for everyone interested in electronics. From beginner to diehard, from student to lecturer. Information, education, inspiration and entertainment. Analog and digital, practical and theoretical; software and hardware.



open source
hardware

HandsOn Technology support Open Source Hardware (OSHW) Development Platform.

Learn : Design : Share

www.handsontec.com

The Face behind our product quality...

In a world of constant change and continuous technological development, a new or replacement product is never far away – and they all need to be tested.

Many vendors simply import and sell without checks and this cannot be the ultimate interests of anyone, particularly the customer. Every part sell on Handsotec is fully tested. So when buying from Handsontec products range, you can be confident you're getting outstanding quality and value.

We keep adding the new parts so that you can get rolling on your next project.



www.handsontec.com

[Breakout Boards & Modules](#)



[Connectors](#)



www.handsontec.com

[Electro-Mechanical Parts](#)



www.handsontec.com

[Engineering Material](#)



www.handsontec.com

[Mechanical Hardware](#)



[Electronics Components](#)

P



www.handsontec.com

[Power Supply](#)



[Arduino Board & Shield](#)

[Tools & Accessory](#)



www.handsontec.com

[Tools & Accessory](#)