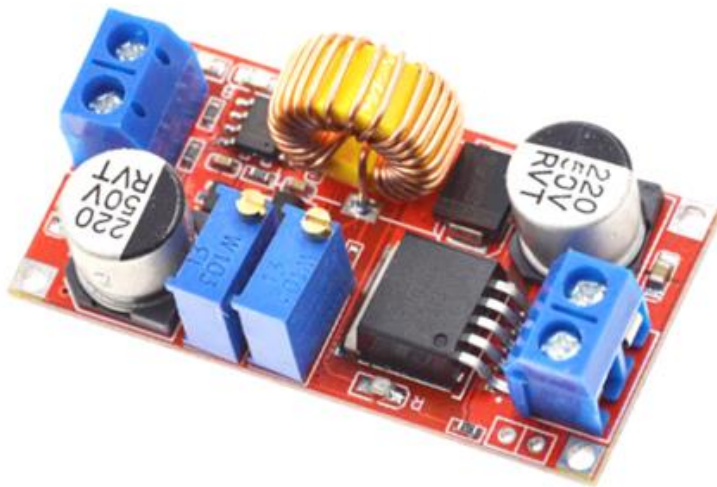




Data Specs

XL4015 Step-Down DC Module with CV/CA Control

XL4015 is a 180KHz fixed frequency PWM buck (step-down) DC/DC converter module, capable of driving a 5A load with high efficiency, low ripple and excellent line and load regulation. This module is with constant Voltage (CV) and constant current (CA) adjustment control. Suitable for general purpose DC regulator and battery charger application.



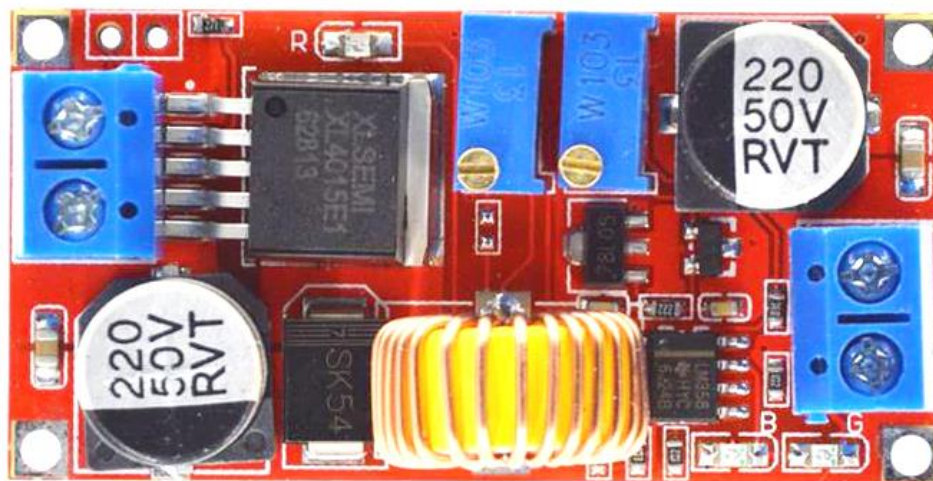
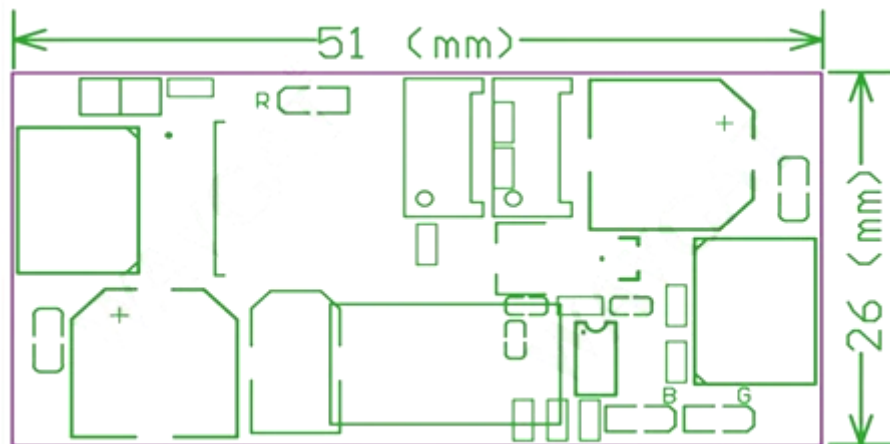
SKU: [PSU1031](#)

Brief Data:

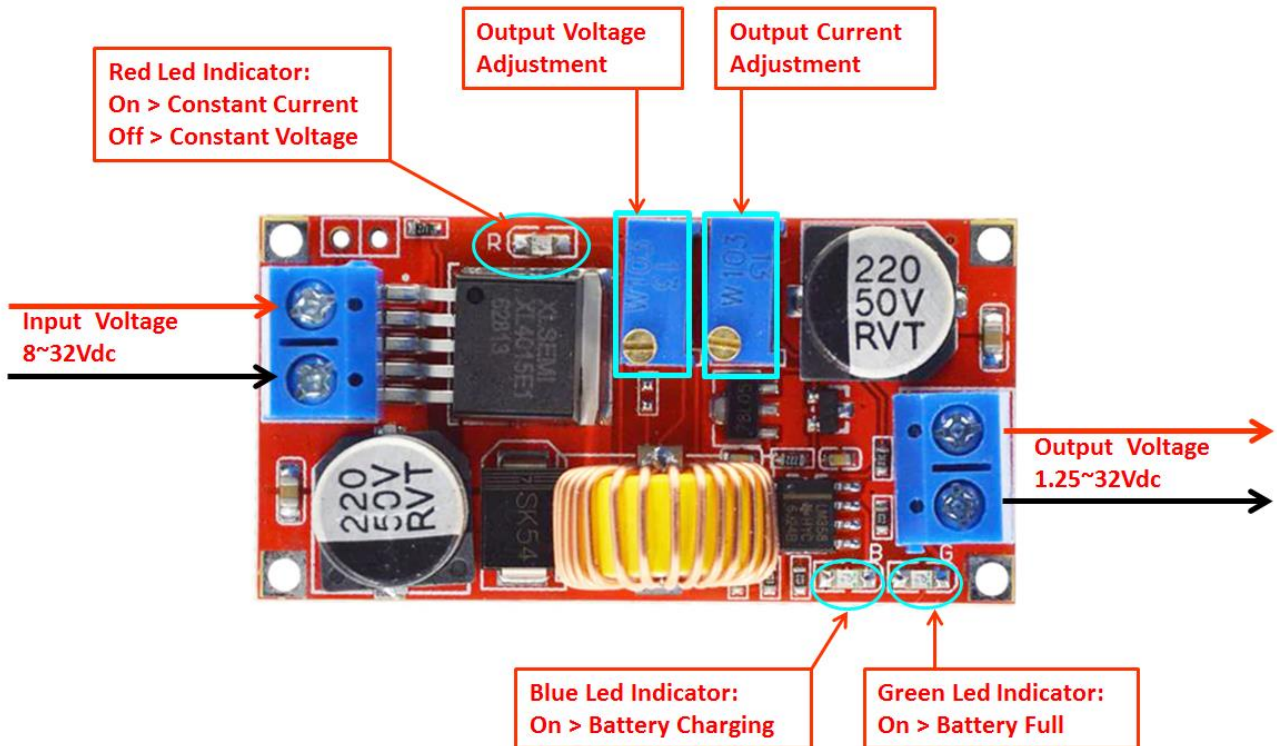
- Input Voltage: 8Vdc~36Vdc.
- Output voltage: 1.25Vdc~32Vdc.
- Output current: Adjustable maximum 5A.
- Voltage Regulation: $\pm 2.5\%$
- Load Regulation: $\pm 0.5\%$
- Output ripple: 50mV (max) 20M bandwidth
- Switching frequency: 300KHz
- Conversion efficiency: 95% (the highest)
- Rectification: non-synchronous rectification
- Module Properties: non-isolated constant current and voltage module.
- Size: 51x26.3x14 (LxWxH) (mm).
- Operating Temperature: -40° to $+85^{\circ}$

Board Dimension:

Unit: mm

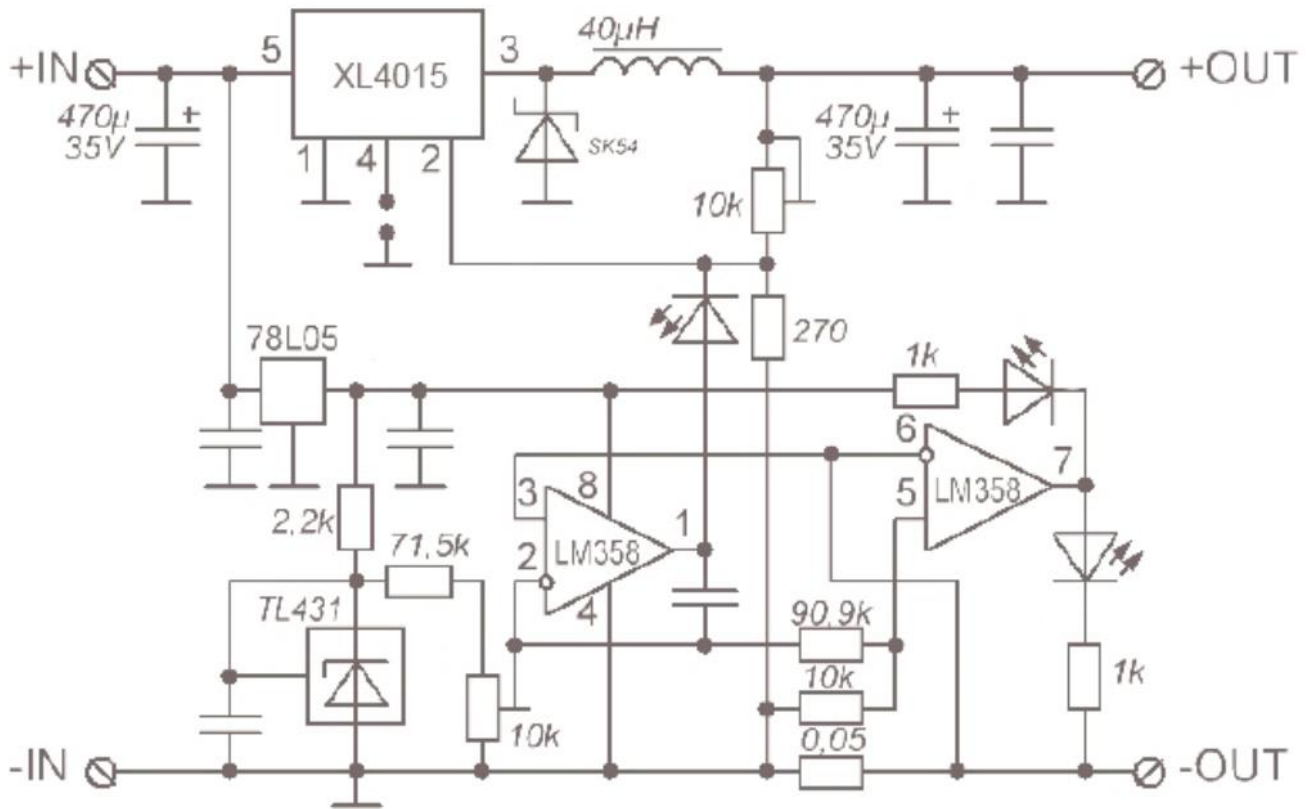


Functional Diagram:

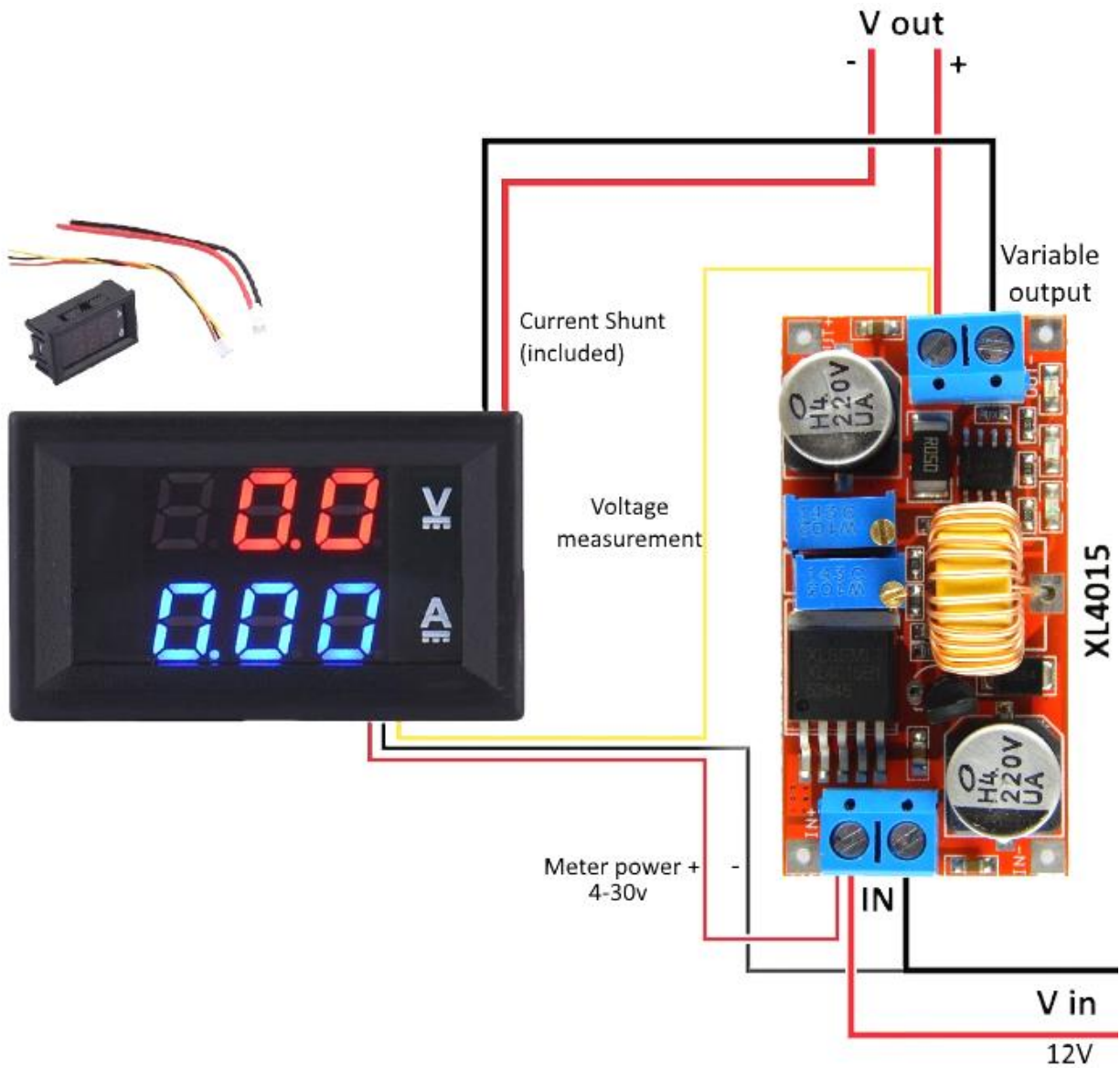


Function	Description
Input Voltage	8 ~ 36Vdc. This is step down converter, input must higher than output voltage.
Output Voltage	1.25 ~ 32Vdc. This is step down converter, input must higher than output voltage.
Output Voltage Adjustment	Clockwise: Increase Voltage. Counter clockwise: Decrease Voltage.
Output Current Adjustment	Clockwise: Increase Current limit. Counter clockwise: Decrease Current limit.
Red LED Indicator	Constant Current Mode Operation.
Blue LED Indicator	Battery Charger Mode: Charging in Progress.
Green LED Indicator	Battery Charger Mode: Battery full charge.

Schematic:



Application Example:





Handsontec.com

We have the parts for your ideas

HandsOn Technology provides a multimedia and interactive platform for everyone interested in electronics. From beginner to diehard, from student to lecturer. Information, education, inspiration and entertainment. Analog and digital, practical and theoretical; software and hardware.



open source
hardware

HandsOn Technology support Open Source Hardware (OSHW) Development Platform.

Learn : Design : Share

handsontec.com



The Face behind our product quality...

In a world of constant change and continuous technological development, a new or replacement product is never far away – and they all need to be tested.

Many vendors simply import and sell without checks and this cannot be the ultimate interests of anyone, particularly the customer. Every part sold on Handsontec is fully tested. So when buying from Handsontec products range, you can be confident you're getting outstanding quality and value.

We keep adding the new parts so that you can get rolling on your next project.



www.handsontec.com

[Breakout Boards & Modules](#)



[Connectors](#)



www.handsontec.com

[Electro-Mechanical Parts](#)



www.handsontec.com

[Engineering Material](#)



www.handsontec.com

[Mechanical Hardware](#)



[Electronics Components](#)

P



www.handsontec.com

[Power Supply](#)



[Arduino Board & Shield](#)

[Tools & Accessory](#)



www.handsontec.com

[Tools & Accessory](#)