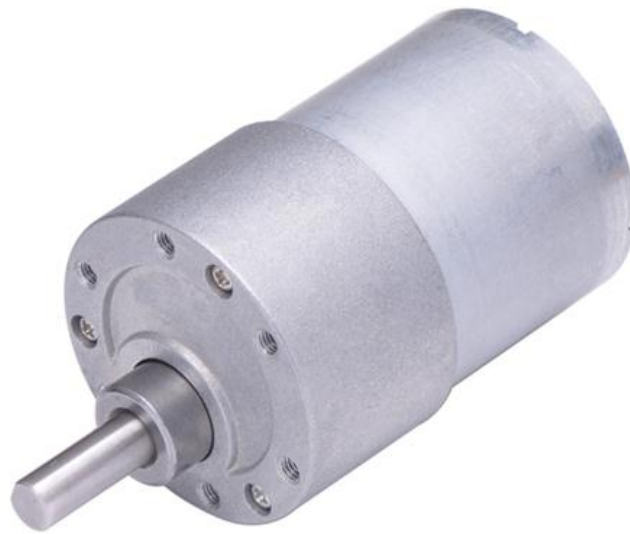




Data Specs

JGB37-3530 High Torque DC Gear Motor

JGB37-3530 is a high quality DC gear motor available in a wide range of RPM configurations, ideal for linear motion control, DIY project and robotics application.



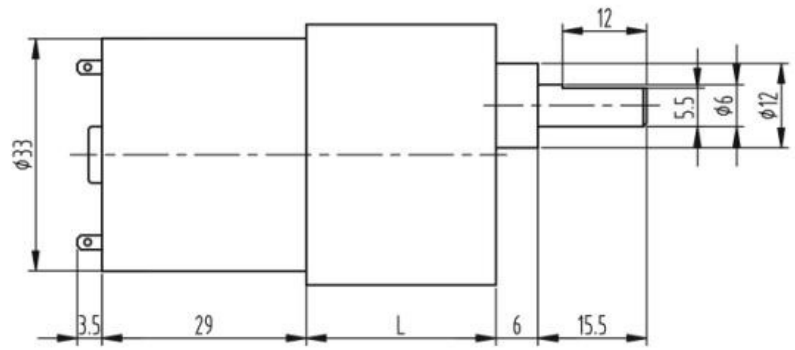
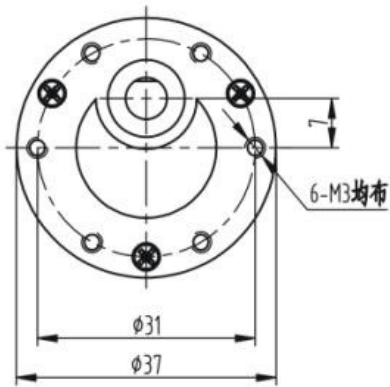
SKU: [EMH1174](#)

Specifications:

- Motor type: JM37-3530. (JGB37)
- Operating voltage: 6 ~15V.
- Free-run speed: 295 RPM @ 12V.
- Free-run current: 120mA@12V.
- Stall current: 1.2A@12V.
- Stall torque: 15N/cm @12V.
- Gear ratio: 1:10.
- Gear Type: All Metal.
- Shaft Diameter: Ø6mm D-Shape.
- Gear Box size L: 19 mm.
- Weight: 177g.

Mechanical Dimension:

Unit: mm



All Metal Gear

Application Example:



Web Resources:

- [68mm High Grip Rubber Wheel for Robotics Car](#)
- [Hex Motor Shaft Coupler for Robotic Wheel](#)
- [Right Angle Bracket for JGB37 Gear Motor](#)



Handsontec.com

We have the parts for your ideas

HandsOn Technology provides a multimedia and interactive platform for everyone interested in electronics. From beginner to diehard, from student to lecturer. Information, education, inspiration and entertainment. Analog and digital, practical and theoretical; software and hardware.



open source
hardware

HandsOn Technology support Open Source Hardware (OSHW) Development Platform.

Learn : Design : Share

www.handsontec.com



The Face behind our product quality...

In a world of constant change and continuous technological development, a new or replacement product is never far away – and they all need to be tested.

Many vendors simply import and sell without checks and this cannot be the ultimate interests of anyone, particularly the customer. Every part sell on Handsotec is fully tested. So when buying from Handsotec products range, you can be confident you're getting outstanding quality and value.

We keep adding the new parts so that you can get rolling on your next project.



www.handsontec.com

[Breakout Boards & Modules](#)



[Connectors](#)



www.handsontec.com

[Electro-Mechanical Parts](#)



www.handsontec.com

[Engineering Material](#)



www.handsontec.com

[Mechanical Hardware](#)



[Electronics Components](#)

P



www.handsontec.com

[Power Supply](#)



[Arduino Board & Shield](#)

Tools & Accessory



www.handsontec.com

[Tools & Accessory](#)