



RX24 Series Metal Case Wire Wound Power Resistor

The RX24 is screw mounting wire-wound resistor with solder-dipped copper clad steel terminations. The resistive element is wound onto the substrate and welded to the caps. The wound rod is then molded and fitted into aluminum housing to give optimum stability and reliability. The aluminum housed wire-wound resistor is suitable for severe environments and excellent thermal conductivity to heat-sink.



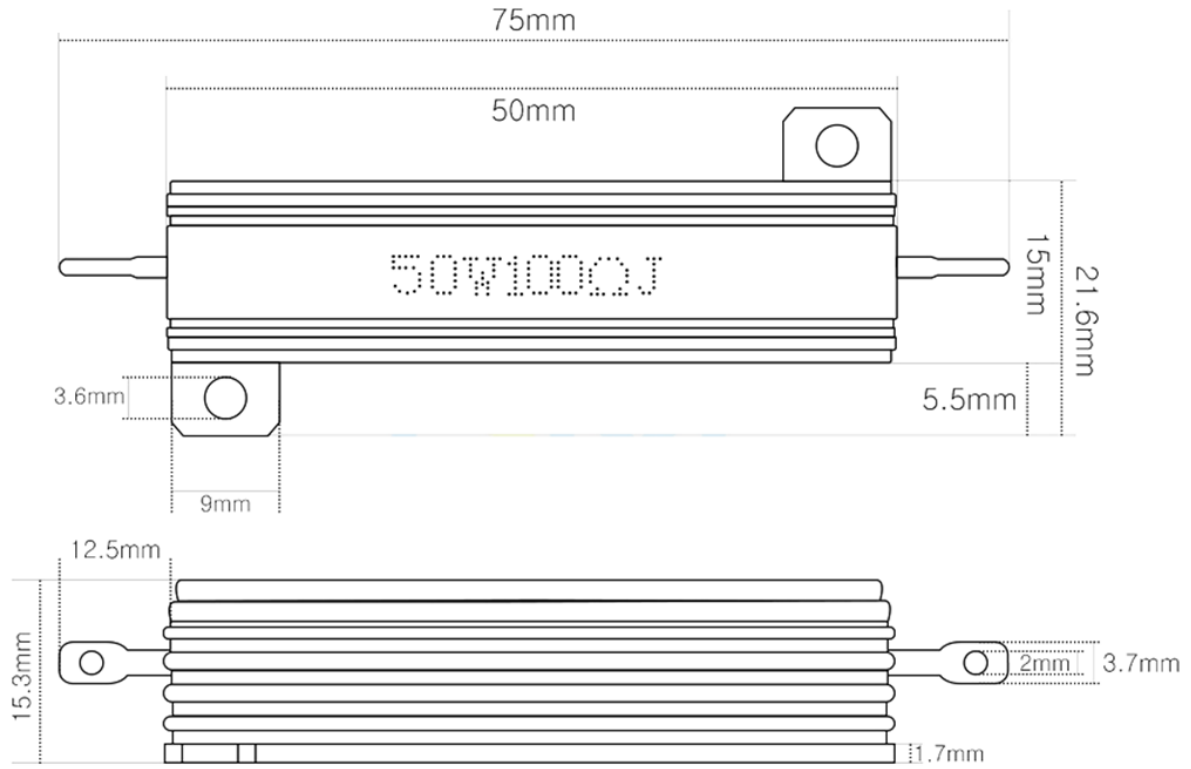
SKU: [RES1497](#)

Brief Specification:

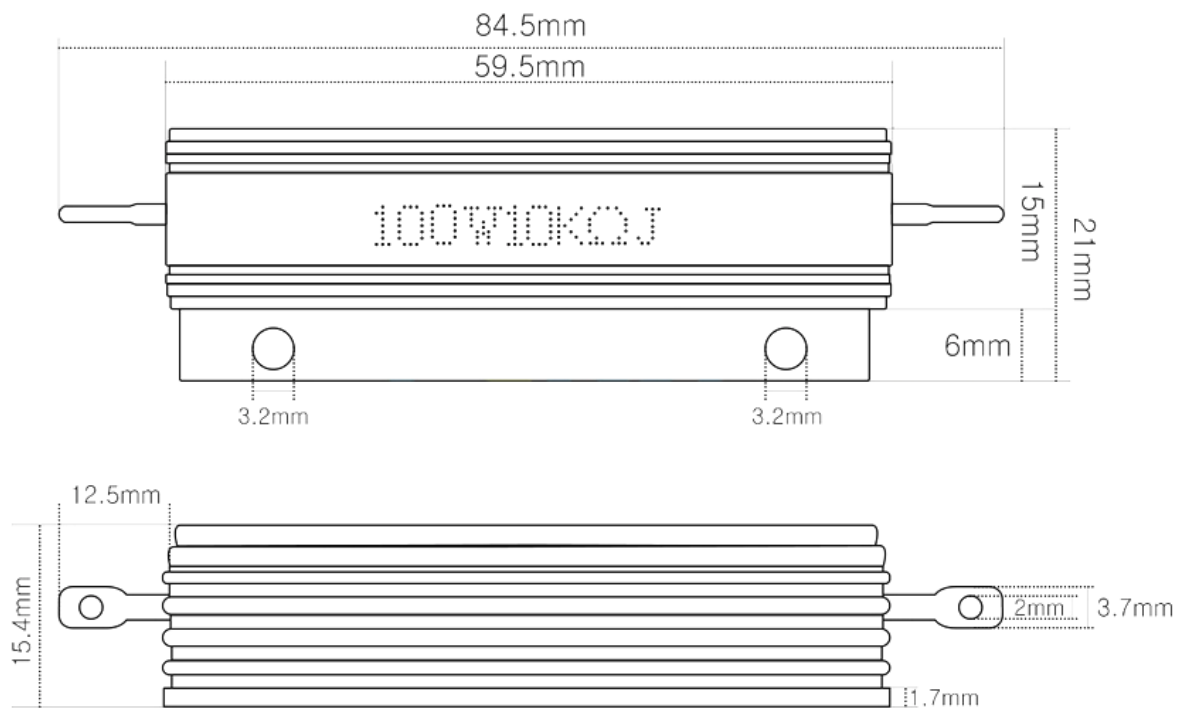
- Resistance: 5~20Ω.
- Power Rating: 50~100W.
- Series: RX24.
- Package/Case: Aluminum Housed.
- Tolerance: ±5%.
- Technology: Wire Wound.
- Termination Style: Axial.

Mechanical Dimension:

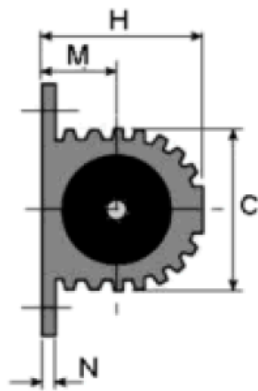
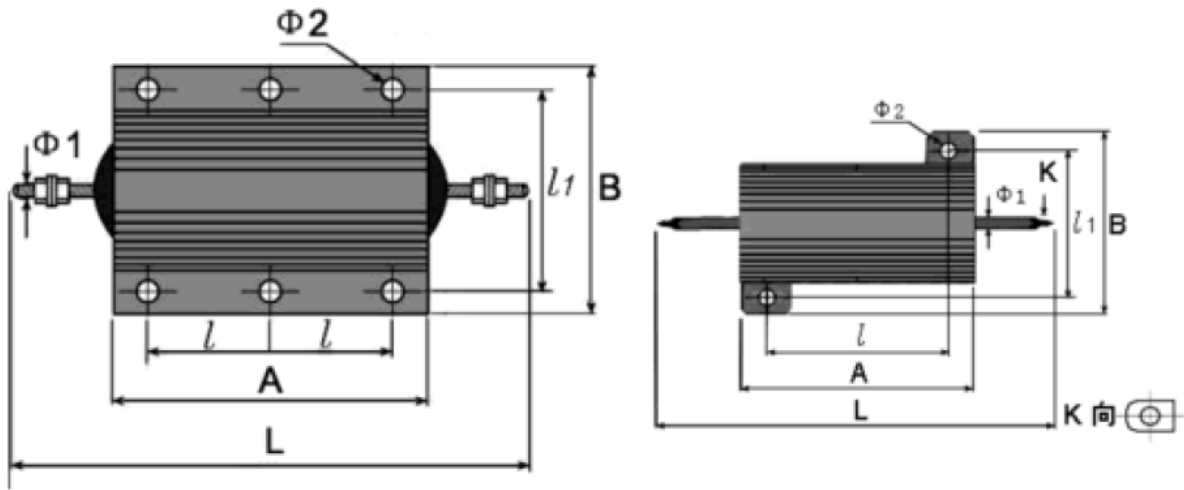
Unit: mm



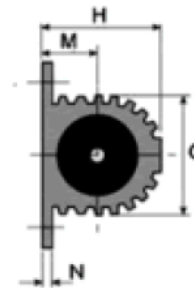
50W



100W



RXG24



RX24

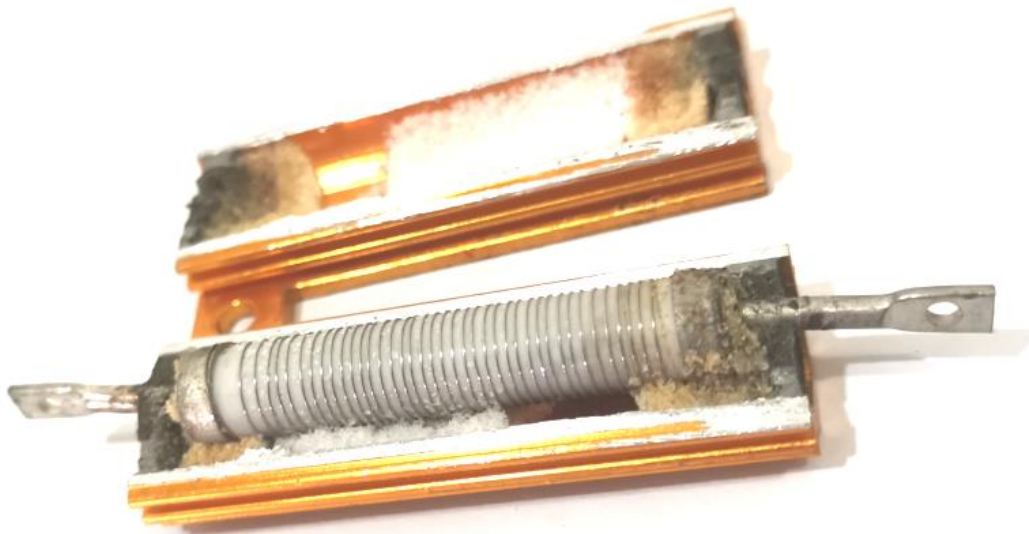
Technical Specification

Type	Rated power at 25°C (W)	Dimensions (mm)												Weight (g)	
		Resistor Body										HeatSink			
		A max	B	L max	H max	C	l	ll	M	N	Φ 1	Φ 2	Surface area (cm ²)		Thickness (mm)
RX24	5	15.5	16	36.5	8	8.5	11.4	12	4.4	1.5	1.5	2.2	415	1	3
	10/15	19.5	21	40.5	10	11.2	14	16	5	2	2	2.5	415		6
	20/25	27	27	48.0	13	14.3	18.3	20	7	2	2	3.5	535		11
	30	34.0	29	55.0	15.5	16.3	25	22	7.3	2	2	3.5	535		18
	50	50	29	71	15.5	16.3	40	20.5	7.3	2	2	3.5	995		30
RXG24	75	65.5	48	93.5	26	27	23.5	37	11.5	3.5	M3	4.4	995	3	90
	100	98	48	126	26	27	35	37	11.5	3.5	M3	4.4	995		160
	150	130	48	158	26	27	52	37	11.5	3.5	M3	4.4	995		240
	200	92	73	132	45	46.5	35	58	21	5	M6	5.5	3750		420
	250	112	73	152	45	46.5	45	58	21	5	M6	5.5	4765		480
	300	130	73	170	45	46.5	51	58	21	5	M6	5.5	5780		580
	500	204	73	244	45	46.5	87	58	21	5	M6	5.5	8500		970

Main Characteristics:

Type	Rated power at 25°C (W)		Range (Ω)	Tolerance (%)	T.C.R. ($\times 10^{-6}/^{\circ}\text{C}$)	Voltage (V)		
	With Shell	Without Shell						
RX24	5	3	0.01~1K	$\pm 1, \pm 5$	$\pm 100, \pm 50$	1000		
	10/15	8	0.01~1.5K					
	20/25	12.5	0.01~20K					
	30	15	0.01~27K					
	50	20	0.01~33K					
RXG24	75	45	0.01~39K			$\pm 1, \pm 5$	$\pm 100, \pm 50$	2000
	100	50	0.01~51K					
	150	55	0.01~56K					
	200	50	0.01~62K					
	250	60	0.01~68K					
	300	75	0.01~75K					
	500	200	0.01~82K					

Wire Wound Construction:



Ordering Information:

Part No	Resistance (Ω)	Power Rating (W)	SKU
RX24-50W-05RJ	5	50	RES1497
RX24-50W-10RJ	10	50	RES1496
RX24-50W-15RJ	15	50	RES1457
RX24-50W-20RJ	20	50	RES1502
RX24-100W-15RJ	15	100	RES1503



Handsontec.com

We have the parts for your ideas

HandsOn Technology provides a multimedia and interactive platform for everyone interested in electronics. From beginner to diehard, from student to lecturer. Information, education, inspiration and entertainment. Analog and digital, practical and theoretical; software and hardware.



open source
hardware

HandsOn Technology support Open Source Hardware (OSHW) Development Platform.

Learn : Design : Share

handsontec.com



The Face behind our product quality...

In a world of constant change and continuous technological development, a new or replacement product is never far away – and they all need to be tested.

Many vendors simply import and sell without checks and this cannot be the ultimate interests of anyone, particularly the customer. Every part sell on Handsotec is fully tested. So when buying from Handsotec products range, you can be confident you're getting outstanding quality and value.

We keep adding the new parts so that you can get rolling on your next project.



www.handsontec.com

[Breakout Boards & Modules](#)



[Connectors](#)



www.handsontec.com

[Electro-Mechanical Parts](#)



[Engineering Material](#)



www.handsontec.com

[Mechanical Hardware](#)



[Electronics Components](#)

P



www.handsontec.com

[Power Supply](#)



[Arduino Board & Shield](#)

[Tools & Accessory](#)



www.handsontec.com

[Tools & Accessory](#)