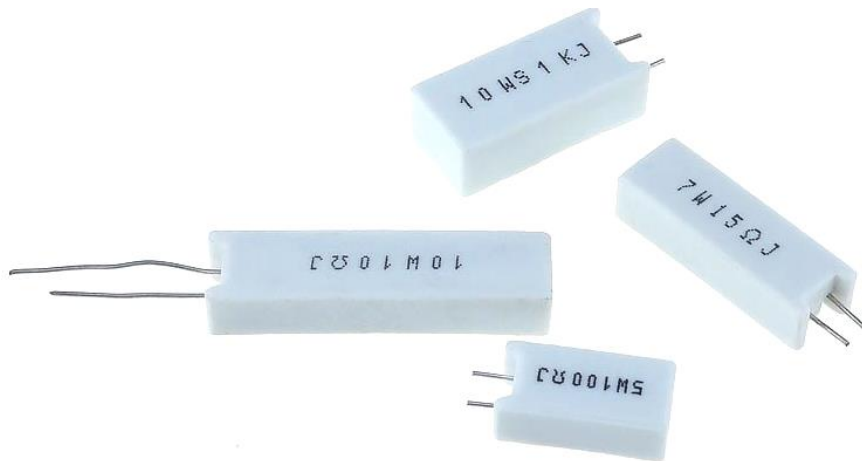




Cement Power Resistor – Vertical Lead

The SQM Series are ceramic housed resistors with ceramic rod metal oxide core. The materials used and the construction techniques ensure excellent flame resistance, arc resistance and moisture resistance as well as self-extinguishing capabilities.



SKU: [RES1421](#)

Brief Data:

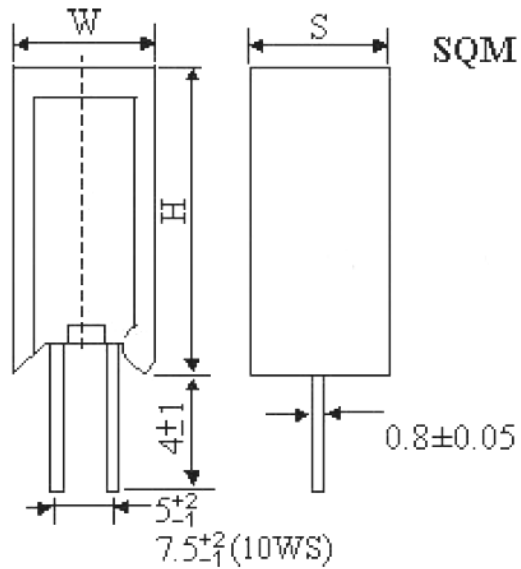
- Resistance Range: 150Ω~1MΩ.
- Tolerance: ±5%.
- Power Rating: 5W @ 40°.
- Maximum Working Voltage: 350V.
- Maximum Overload Voltage: 700V.
- Operating Temp. Range: -55°C to +105°C

Mechanical Dimension:

Unit: mm

Dimensions (SQM)

Type	Dimension (mm)			Resistance Range (Ω)	
	H \pm 1.5	W \pm 1	S \pm 1	SQM	RS+SQM
2W	20	12	8	0.1-8.0	81-50K
3W	25	12	8	0.1-180	181-50K
5W	25	13	9	0.1-180	181-50K
7W	39	13	9	0.1-430	431-47K
10W	51	13	12	0.1-470	471-47K
10WS	35	16	12	0.1-430	431-47K



Ceramic Housed (SQM) Dimensions



Handsontec.com

We have the parts for your ideas

HandsOn Technology provides a multimedia and interactive platform for everyone interested in electronics. From beginner to diehard, from student to lecturer. Information, education, inspiration and entertainment. Analog and digital, practical and theoretical; software and hardware.



open source
hardware

HandsOn Technology support Open Source Hardware (OSHW) Development Platform.

Learn : Design : Share

handsontec.com



The Face behind our product quality...

In a world of constant change and continuous technological development, a new or replacement product is never far away – and they all need to be tested.

Many vendors simply import and sell without checks and this cannot be the ultimate interests of anyone, particularly the customer. Every part sell on Handsotec is fully tested. So when buying from Handsotec products range, you can be confident you're getting outstanding quality and value.

We keep adding the new parts so that you can get rolling on your next project.



www.handsontec.com

[Breakout Boards & Modules](#)



[Connectors](#)



www.handsontec.com

[Electro-Mechanical Parts](#)



www.handsontec.com

[Engineering Material](#)



www.handsontec.com

[Mechanical Hardware](#)



[Electronics Components](#)

P



www.handsontec.com

[Power Supply](#)



[Arduino Board & Shield](#)

Tools & Accessory



www.handsontec.com

[Tools & Accessory](#)