



## Data Specs

## 250W 24V/10A Switching Power Supply

Fully enclosed switching power supply for general applications, with wide range power line input voltage. Highly reliable power output with short circuit and overload protection. Output capacitors are rated at 105°C. Features factory installed EMI filter.



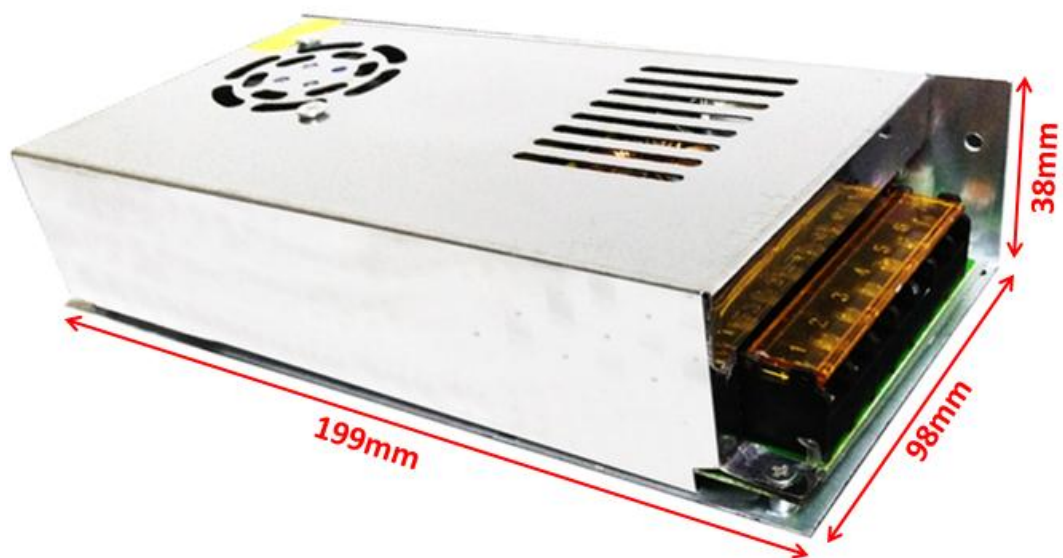
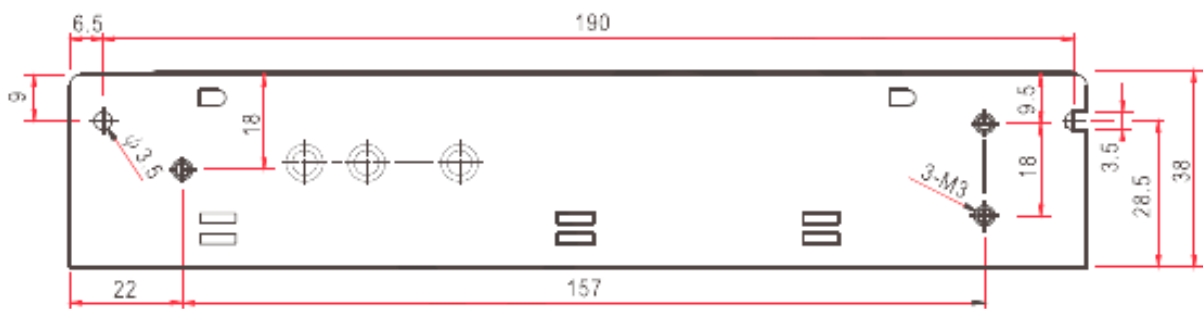
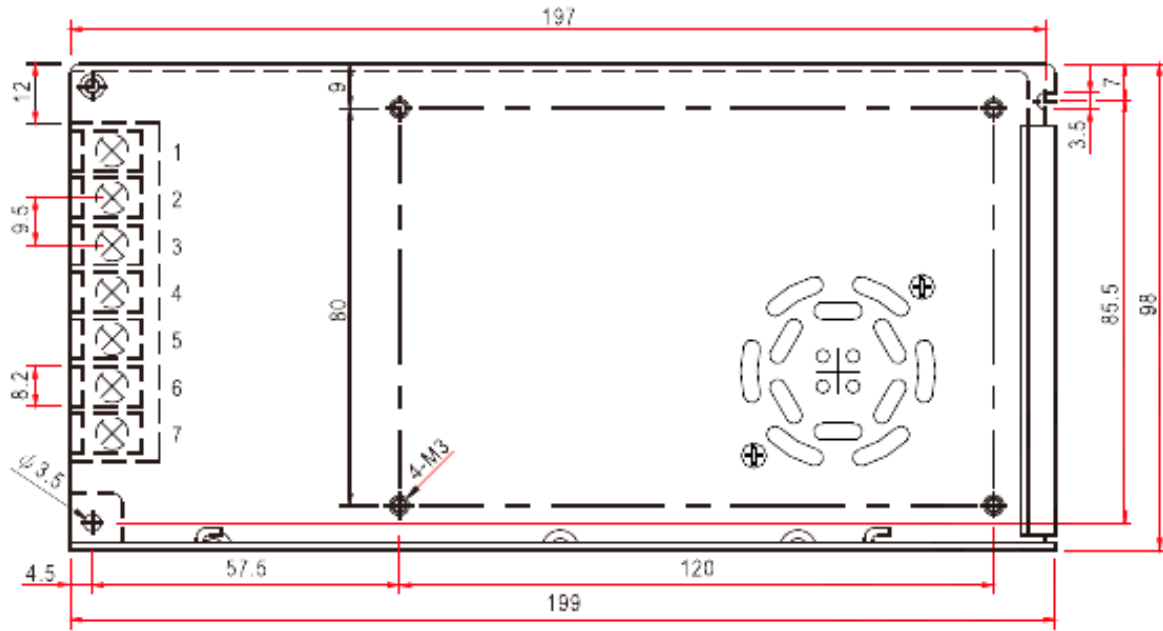
SKU: [PSU1022](#)

### Specifications:

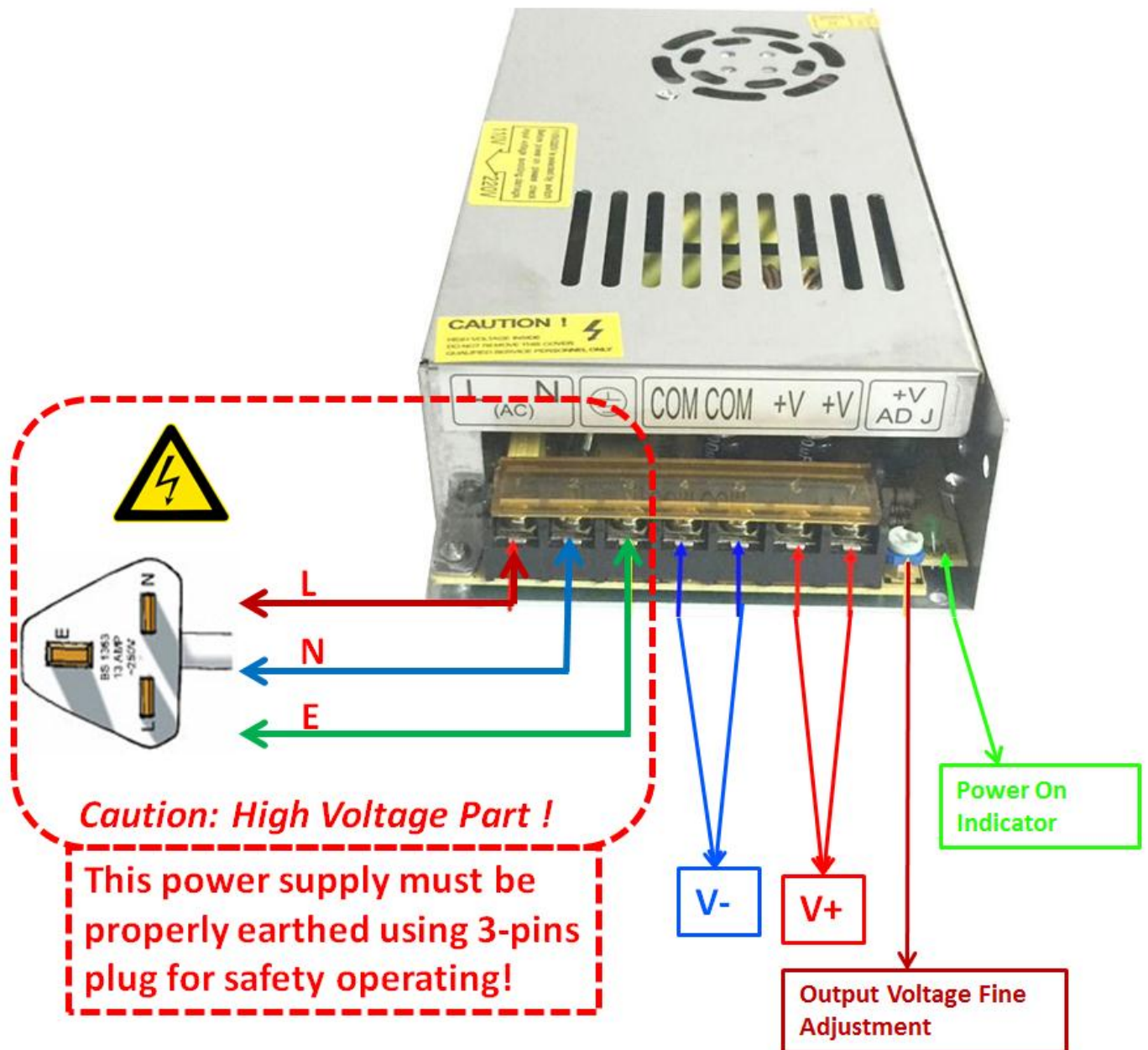
- Model Number: S-250-24V10A.
- Input Voltage: 110~265VAC.
- DC output voltage: 24V  $\pm$  2%
- Output Current: 10A Max.
- Output power: 250W.
- DC Adjustable Range: 23.5~24.5V.
- Color: Silver.
- Dimensions: 199 x 98x 38mm.
- Weight: 0.55Kg

**Mechanical Dimension:**

Unit: mm



## Connection Diagram:





# Handsontec.com

*We have the parts for your ideas*

---

HandsOn Technology provides a multimedia and interactive platform for everyone interested in electronics. From beginner to diehard, from student to lecturer. Information, education, inspiration and entertainment. Analog and digital, practical and theoretical; software and hardware.



open source  
hardware

HandsOn Technology support Open Source Hardware (OSHW) Development Platform.

*Learn : Design : Share*

*[www.handsontec.com](http://www.handsontec.com)*



## The Face behind our product quality...

In a world of constant change and continuous technological development, a new or replacement product is never far away – and they all need to be tested.

Many vendors simply import and sell without checks and this cannot be the ultimate interests of anyone, particularly the customer. Every part sell on Handsotec is fully tested. So when buying from Handsotec products range, you can be confident you're getting outstanding quality and value.

We keep adding the new parts so that you can get rolling on your next project.



[www.handsontec.com](http://www.handsontec.com)

[Breakout Boards & Modules](#)



[Connectors](#)



[www.handsontec.com](http://www.handsontec.com)

[Electro-Mechanical Parts](#)



[www.handsontec.com](http://www.handsontec.com)

[Engineering Material](#)



[www.handsontec.com](http://www.handsontec.com)

[Mechanical Hardware](#)



[Electronics Components](#)

P



[www.handsontec.com](http://www.handsontec.com)

[Power Supply](#)



[Arduino Board & Shield](#)

[Tools & Accessory](#)



[www.handsontec.com](http://www.handsontec.com)

[Tools & Accessory](#)