



Hexagon Nylon Spacer Male-Female

A range of high-quality standoffs made from solid nylon threaded inserts. These versatile standoffs are designed to mount and secure your PCB as well as elevating your PCB from other components such as the inside of a computer chassis or another PCB, similar to spacers. Have female/male or male/male type M3 thread size.



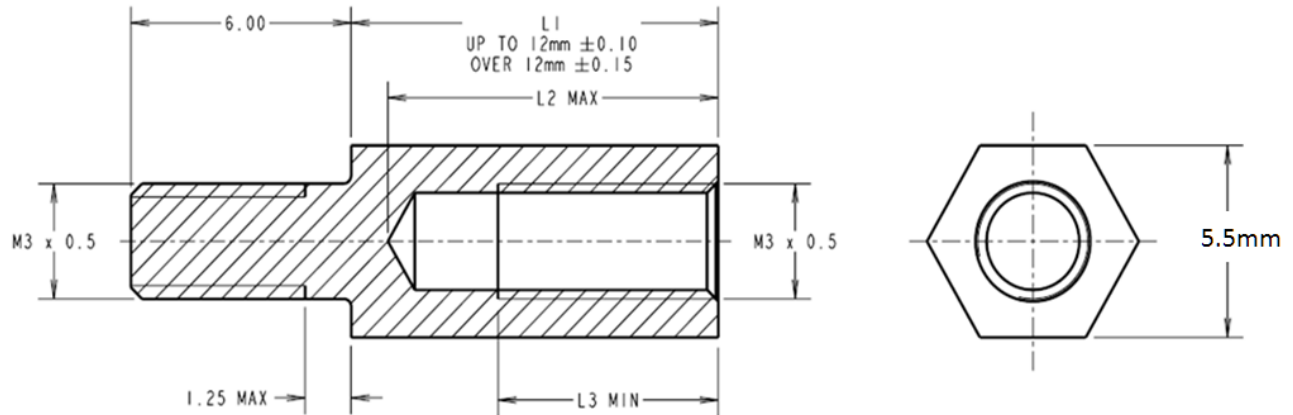
SKU: [FAS1272](#)

Brief Data:

- Body Height: 5~30mm.
- Type: Male/Female.
- Thread Size: M3.
- Bolt Length: M3 Thread 6mm.
- Material: Nylon.
- Width Across Flats: 5.5mm.

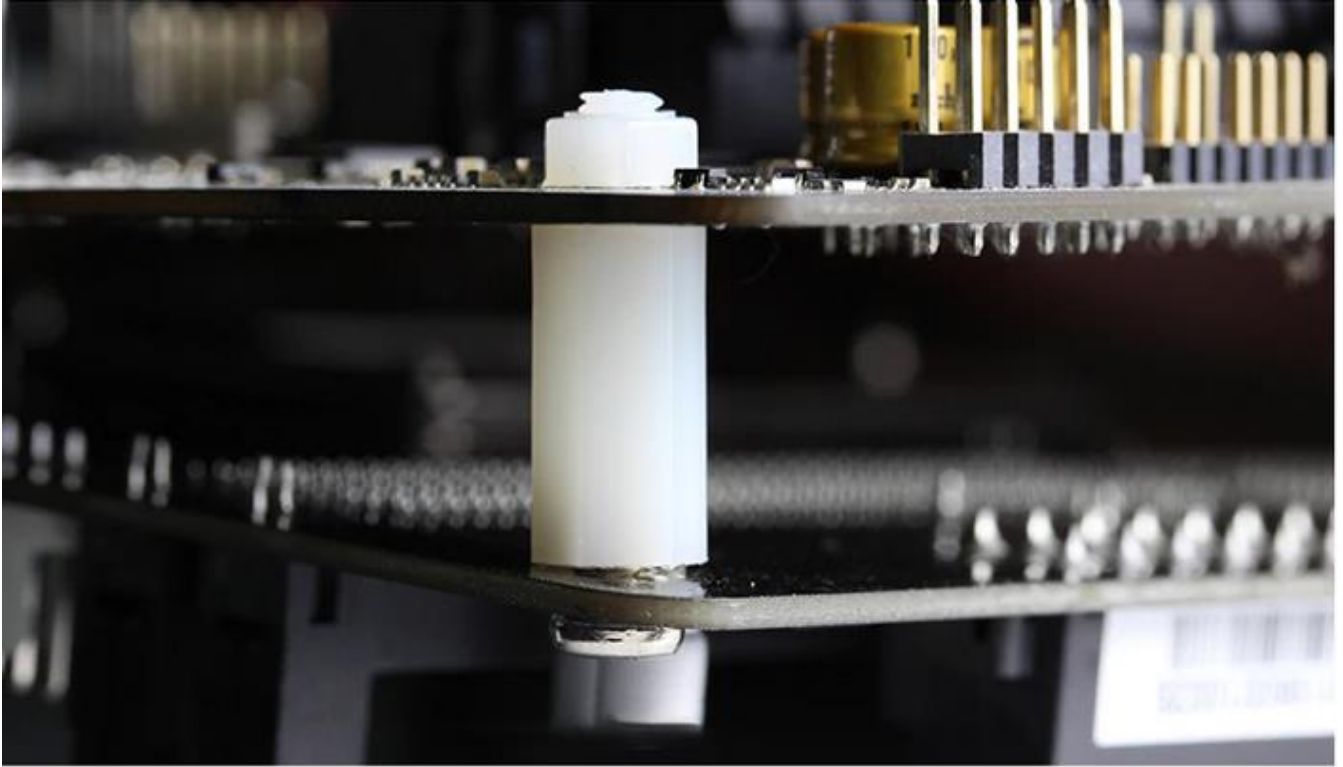
Mechanical Dimension:

Unit: mm.



Part No	L1 (mm)	SKU
M3x05+6MF	5	FAS1272
M3x08+6MF	8	FAS1273
M3x10+6MF	10	FAS1274
M3x12+6MF	12	FAS1275

Application Examples:





Handsontec.com

We have the parts for your ideas

HandsOn Technology provides a multimedia and interactive platform for everyone interested in electronics. From beginner to diehard, from student to lecturer. Information, education, inspiration and entertainment. Analog and digital, practical and theoretical; software and hardware.



open source
hardware

HandsOn Technology support Open Source Hardware (OSHW) Development Platform.

Learn : Design : Share

www.handsontec.com



The Face behind our product quality...

In a world of constant change and continuous technological development, a new or replacement product is never far away – and they all need to be tested.

Many vendors simply import and sell without checks and this cannot be the ultimate interests of anyone, particularly the customer. Every part sell on Handsotec is fully tested. So when buying from Handsotec products range, you can be confident you're getting outstanding quality and value.

We keep adding the new parts so that you can get rolling on your next project.



www.handsontec.com

[Breakout Boards & Modules](#)



[Connectors](#)



www.handsontec.com

[Electro-Mechanical Parts](#)



www.handsontec.com

[Engineering Material](#)



www.handsontec.com

[Mechanical Hardware](#)



[Electronics Components](#)

P



www.handsontec.com

[Power Supply](#)



[Arduino Board & Shield](#)

[Tools & Accessory](#)



www.handsontec.com

[Tools & Accessory](#)