



NJK-5002C Hall Effect Proximity Sensor

The NJK-5002C is a magnetic Hall Effect proximity sensor which is used as an indicator of position or proximity of magnetic materials. When the NJK-5002C is close to magnetic object, its output sends a control signal in addition to having a status indicator LED which visually supports us in the detection. It can also be used as a speed counter.



SKU: [SSR1047](#)

Brief Data:

- Model: NJK-5002C
- Supply voltage: 5-30VDC
- Detection Distance: 10mm (effective detection distance 0-10mm).
- Load current: <150mA
- Output Form: NPN.
- Output state: Normally Open (NO)
- Detection Objects: Magnetic Material.
- Output Indication: LED (red).
- Probe Dimension: Ø12x32mm.
- Cable Length: 110cm.
- Weight: ~40g.

Mechanical Dimension:

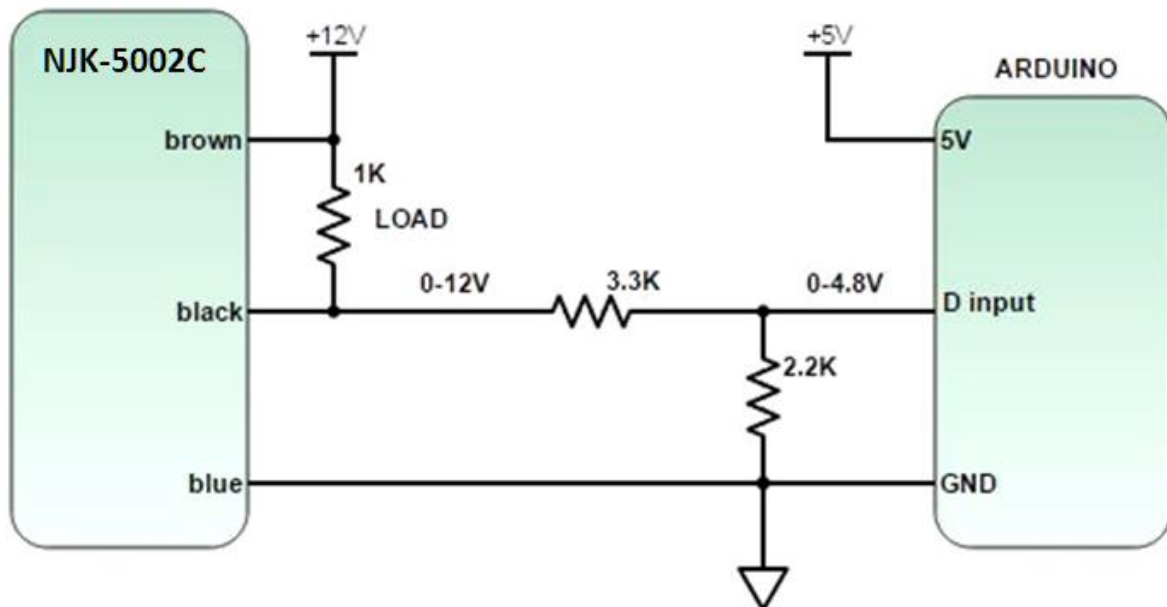
Unit: mm



Terminal Assignment:



How to Connect to Arduino Board ?





Handsontec.com

We have the parts for your ideas

HandsOn Technology provides a multimedia and interactive platform for everyone interested in electronics. From beginner to diehard, from student to lecturer. Information, education, inspiration and entertainment. Analog and digital, practical and theoretical; software and hardware.



open source
hardware

HandsOn Technology support Open Source Hardware (OSHW) Development Platform.

Learn : Design : Share

www.handsontec.com



The Face behind our product quality...

In a world of constant change and continuous technological development, a new or replacement product is never far away – and they all need to be tested.

Many vendors simply import and sell without checks and this cannot be the ultimate interests of anyone, particularly the customer. Every part sell on Handsotec is fully tested. So when buying from Handsontec products range, you can be confident you're getting outstanding quality and value.

We keep adding the new parts so that you can get rolling on your next project.



www.handsontec.com

[Breakout Boards & Modules](#)



[Connectors](#)



www.handsontec.com

[Electro-Mechanical Parts](#)



www.handsontec.com

[Engineering Material](#)



www.handsontec.com

[Mechanical Hardware](#)



[Electronics Components](#)

P



www.handsontec.com

[Power Supply](#)



[Arduino Board & Shield](#)

Tools & Accessory



www.handsontec.com

[Tools & Accessory](#)