



Flexible Motor Shaft Coupler

This High Quality, aluminum Helical Shaft coupling is commonly used in 3D Printers, CNC machines and other DIY projects to couple Stepper motors shaft and other diameter threaded rods, precision trapezoidal lead screw. The coupler takes care of small misalignments, deviations and twists in the system. The bore diameter of this product is 5mm and 8mm. Also known as Beam coupling, helical coupling and Flexible coupling.

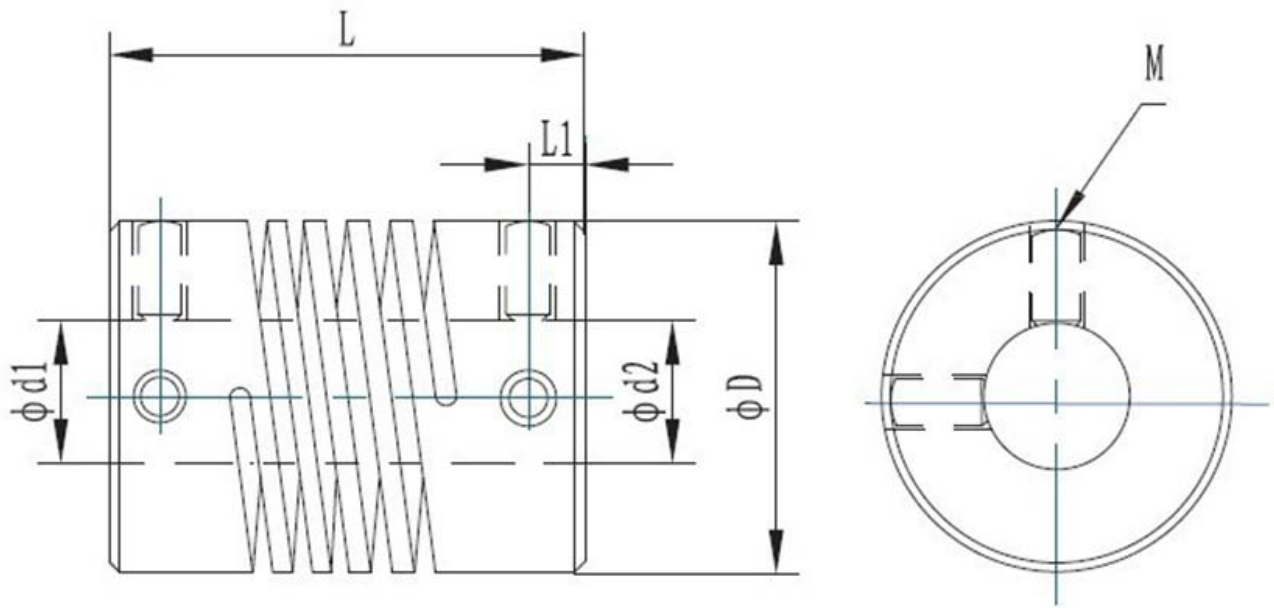


Brief Specification:

- Precision CNC machined.
- Material: Aluminum alloy.
- Bore Diameter $\varnothing d1$: 5~10mm.
- Bore Diameter $\varnothing d2$: 5~10mm.
- Length L: 25mm
- M: M3 Set Screws 4-pieces per coupler.
- Outer Diameter $\varnothing D$: 19mm

Mechanical Dimension:

Unit: mm



Type	$\phi d1$	$\phi d2$	ϕD	L	M	SKU
5 ◀▶ 8	5	8	19	25	M4	MCH-1007
6.35 ◀▶ 8	6.35	8	19	25	M4	MCH-1149