



Data Specs

Magnetic Contact Switch – Door Sensor

This sensor is essentially a reed switch, encased in an ABS plastic shell. Normally the reed is 'open' (no connection between the two wires). The other half is a permanent magnet. When the magnet is less than 10mm away, the reed switch closes. They're often used to detect when a door or drawer is open, which is why they have mounting tabs and screws. This sensor/magnet pair can be secured in place with double-sided foam tape.



SKU: [SWH1024](#)

Brief Data:

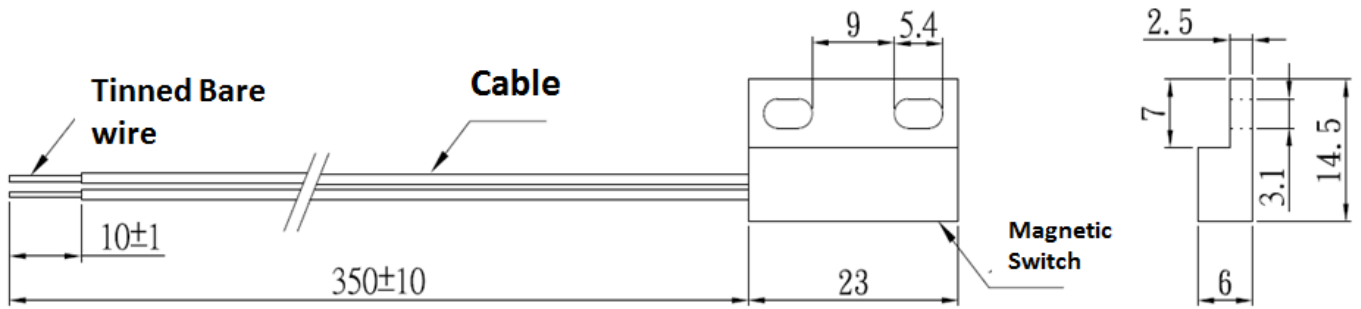
- Contact Configuration: Form A (Normally Open).
- Current Rating: 0.5A.
- Black ABS enclosure.
- Rated voltage: 200VDC max.
- Sensing Distance: <10mm max.
- Dimension LxWxH: 23x14x6mm.
- Cable Length: 350mm.
- Mounting: Tab with M3 Screw Hole.
- Weight: 7g.

Package Include:

- 1x Magnetic Switch with Cable.
- 1x Cased Permanent Magnet.

Mechanical Dimension:

Unit: mm



Open Reed Switch



No magnet near the reed switch

Closed Reed Switch



Magnet near the reed switch



Handsontec.com

We have the parts for your ideas

HandsOn Technology provides a multimedia and interactive platform for everyone interested in electronics. From beginner to diehard, from student to lecturer. Information, education, inspiration and entertainment. Analog and digital, practical and theoretical; software and hardware.



open source
hardware

HandsOn Technology support Open Source Hardware (OSHW) Development Platform.

Learn : Design : Share

www.handsontec.com

The Face behind our product quality...

In a world of constant change and continuous technological development, a new or replacement product is never far away – and they all need to be tested.

Many vendors simply import and sell without checks and this cannot be the ultimate interests of anyone, particularly the customer. Every part sell on Handsotec is fully tested. So when buying from Handsotec products range, you can be confident you're getting outstanding quality and value.

We keep adding the new parts so that you can get rolling on your next project.



www.handsontec.com

[Breakout Boards & Modules](#)



[Connectors](#)



www.handsontec.com

[Electro-Mechanical Parts](#)



www.handsontec.com

[Engineering Material](#)



www.handsontec.com

[Mechanical Hardware](#)



[Electronics Components](#)

P



www.handsontec.com

[Power Supply](#)



[Arduino Board & Shield](#)

Tools & Accessory



www.handsontec.com

[Tools & Accessory](#)