



Hinge Lever Micro-Switch – Long Lever

Micro-switches are useful for detecting passage of a moving part or for implementing an electronic limit stop. Set up the switch so that your mechanism wipes the lever and closes the switch as it moves by. Widely used in appliances, electronics equipment, automatic machine, communication equipment, car electronics and linear motion tools.

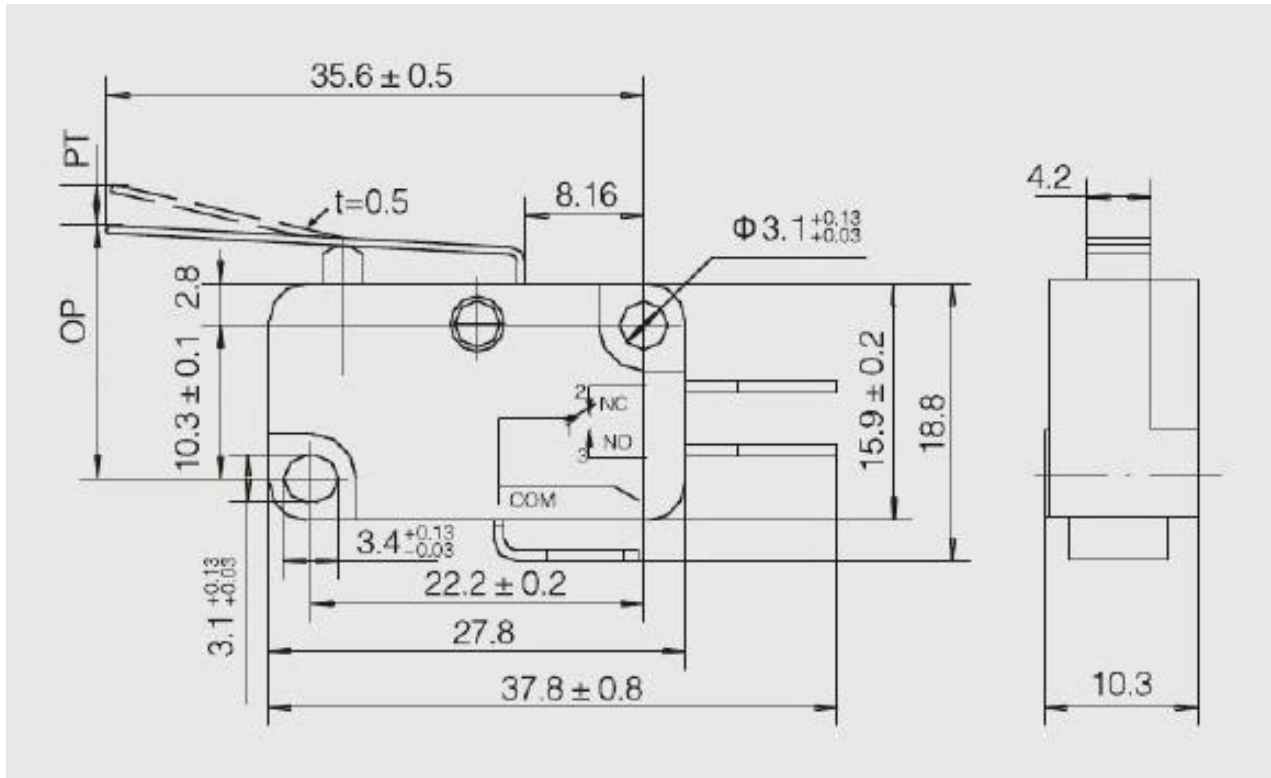


SKU: [SWH1017](#)

Brief Data:

- Model: VX-152-1C25.
- Contact Form: Single Pole Double Throw – SPDT (1C).
- Actuator Type: Hinge Lever.
- Terminal Type: Tab.
- Contact Current Rating: 15A @ 250.
- IP Rating: IP40.
- Operating Force: 1.23N.
- Release Force: 0.14N.
- Contact Material: Silver.
- Mechanical Life: 1,000,000 Operations.

Mechanical Dimension:



OF max.	125g(1.23N)
RF min.	14g(0.14N)
PT max.	2.8mm
OT min.	1.0mm
MD max.	0.8mm
OP	15.2 ± 1.2 mm



Handsontec.com

We have the parts for your ideas

HandsOn Technology provides a multimedia and interactive platform for everyone interested in electronics. From beginner to diehard, from student to lecturer. Information, education, inspiration and entertainment. Analog and digital, practical and theoretical; software and hardware.



open source
hardware

HandsOn Technology support Open Source Hardware (OSHW) Development Platform.

Learn : Design : Share

handsontec.com



The Face behind our product quality...

In a world of constant change and continuous technological development, a new or replacement product is never far away – and they all need to be tested.

Many vendors simply import and sell without checks and this cannot be the ultimate interests of anyone, particularly the customer. Every part sell on Handsotec is fully tested. So when buying from Handsotec products range, you can be confident you're getting outstanding quality and value.

We keep adding the new parts so that you can get rolling on your next project.



www.handsontec.com

[Breakout Boards & Modules](#)



[Connectors](#)



www.handsontec.com

[Electro-Mechanical Parts](#)



www.handsontec.com

[Engineering Material](#)



www.handsontec.com

[Mechanical Hardware](#)



[Electronics Components](#)

P



www.handsontec.com

[Power Supply](#)



[Arduino Board & Shield](#)

[Tools & Accessory](#)



www.handsontec.com

[Tools & Accessory](#)