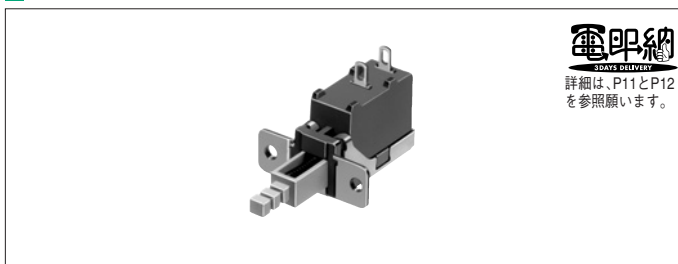


TV-3対応電源スイッチ

TV-3 Qualified Power Switches

SDDL Series

ストローク1.5mm (TV-3) のプッシュタイプ。
Push type with travels of 1.5mm (TV-3).



■ 特長

- 電子機器用安全規格を取得した電源スイッチ。
- ストロークは1.5mm。
- 標準にてつまみも用意。(P.71参照願います。)
- カドミウムを含まない接点を採用。

■ 用途

- 音響機器

■ Features

- Power switch conforms to safety standards for electronic appliances.
- Travel : 1.5mm.
- For knobs, please see P.71.
- No cadmium is used for contacts.

■ Applications

- Audio equipment.

■ 定格および安全規格 Ratings and Safety Standards

項目 Item	仕様 Specification
UL CSA	TV-3
SEMKO	4A/32A 250V~ μ Class II
BS	4A/32A 250V~ μ Class II
VDE	4A/32A 250V~ μ Class II
その他の取得安全規格 Other approved safety standards	SEV
電安法準拠定格 Ratings satisfying local Electrical Appliance & Material Safety Law	125V 10Aキ 125V 3AキE

- IEC規格におけるマイクロギャップ構造。“Micro gap construction” defined in IEC standard.

■ 製品一覧 Products Line

回路構成 Circuit arrangement	移動量 Travel (mm)	全移動量 Total travel (mm)	作動力 Operating force	取付方法 Mounting method	端子形状 Terminal style	定格 Ratings	最少梱包単位(個) Minimum packing unit (pcs.)	電研納対応製品 Products for Densokunou	製品番号 Products No.	図番 Drawing No.
SPST	1.5	2.5	4 \pm 1.5N	M3-screw	Lead	TV-3	100	●	SDDL10900	1
				ϕ 3.2 hole				●	SDDL10500	
				—	P.C. Board			●	SDDL12000	2
				—				●	SDDL12200	

■ 注記
Notes

1. 上記製品一覧以外にも保有している製品がございますので、ご希望の際はお問い合わせ願います。
2. その他、詳細仕様についてはP.64をご参照ください。
1. Other switches than those included in the above list are also available, please inquire us for them if you are interested in them.
2. For other detailed specifications, please see P.64.

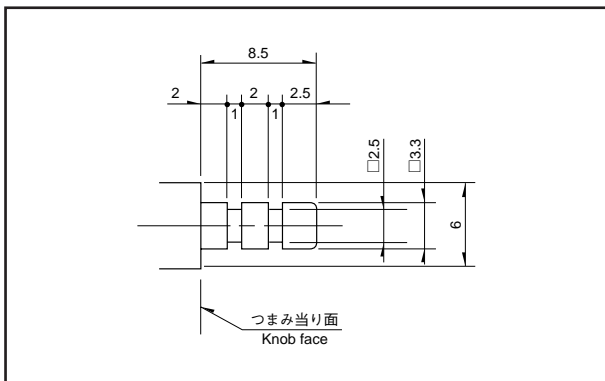
■ 外形図 Dimensions

Unit : mm

No.	形状 Style						
1	<p>Frame type A</p>						
2	<p>Snap-in Type</p> <p>プリント基板厚さ1.6mm専用 Only for 1.6mm P.C.Board</p> <p>プリント基板取付穴寸法図 P.C.Board Mounting Hole Dimensions</p> <p>Hole dimensions (d)</p> <table border="1"> <tr> <td>For lead wiring</td> <td>3×1</td> <td>2holes</td> </tr> <tr> <td>For P.C.Board wiring</td> <td>φ1.55 hole</td> <td>2holes</td> </tr> </table>	For lead wiring	3×1	2holes	For P.C.Board wiring	φ1.55 hole	2holes
For lead wiring	3×1	2holes					
For P.C.Board wiring	φ1.55 hole	2holes					

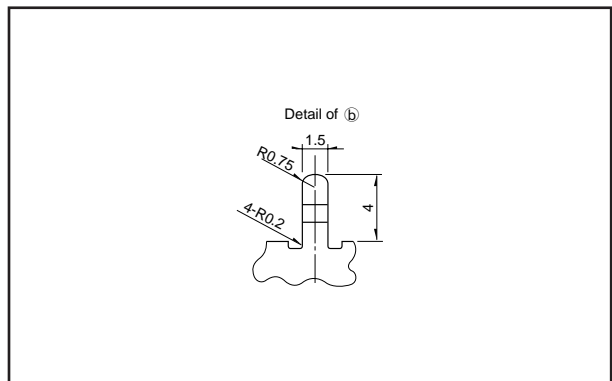
■ ①部詳細 Detail of ①

Unit : mm



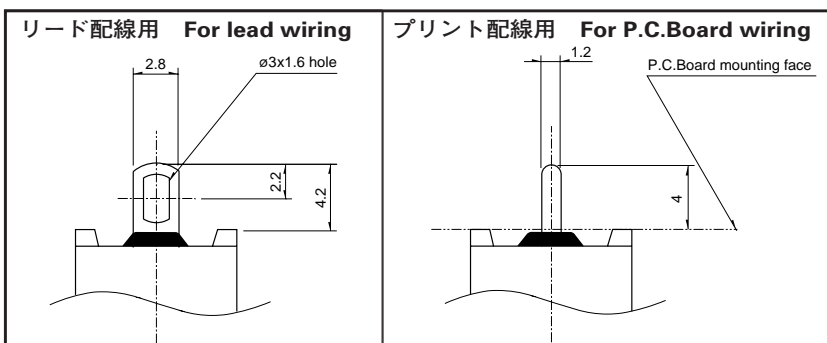
■ ②部詳細 Detail of ②

Unit : mm

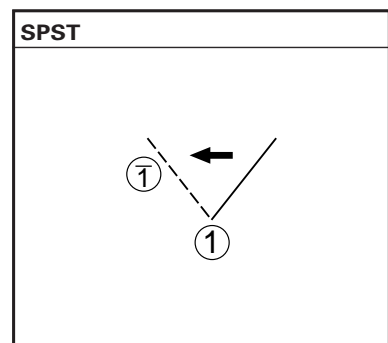


■ 端子形状 Terminal Style

Unit : mm



■ 回路図 Circuit Diagram





Handsontec.com

We have the parts for your ideas

HandsOn Technology provides a multimedia and interactive platform for everyone interested in electronics. From beginner to diehard, from student to lecturer. Information, education, inspiration and entertainment. Analog and digital, practical and theoretical; software and hardware.



open source
hardware

HandsOn Technology support Open Source Hardware (OSHW) Development Platform.

Learn : Design : Share

www.handsontec.com

The Face behind our product quality...

In a world of constant change and continuous technological development, a new or replacement product is never far away – and they all need to be tested and qualified.

Many vendors simply import and sell without checks and this cannot be the ultimate interests of anyone, particularly the customer. Every part sell on Handsotec is fully tested. So when buying from Handsontec products range, you can be confident you're getting outstanding quality and value.

We keep adding the new parts so that you can get rolling on your next project.



www.handsontec.com

[Breakout Boards & Modules](#)



[Connectors](#)



www.handsontec.com

[Electro-Mechanical Parts](#)



www.handsontec.com

[Engineering Material](#)



www.handsontec.com

[Mechanical Hardware](#)



[Electronics Components](#)

P



www.handsontec.com

[Power Supply](#)



[Arduino Board & Shield](#)

[Tools & Accessory](#)



www.handsontec.com

[Tools & Accessory](#)