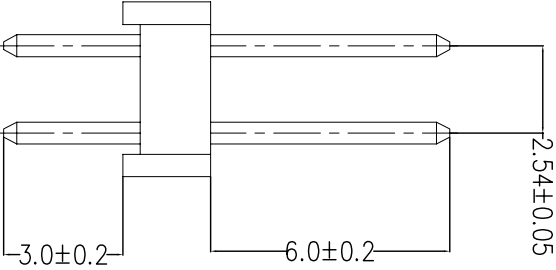
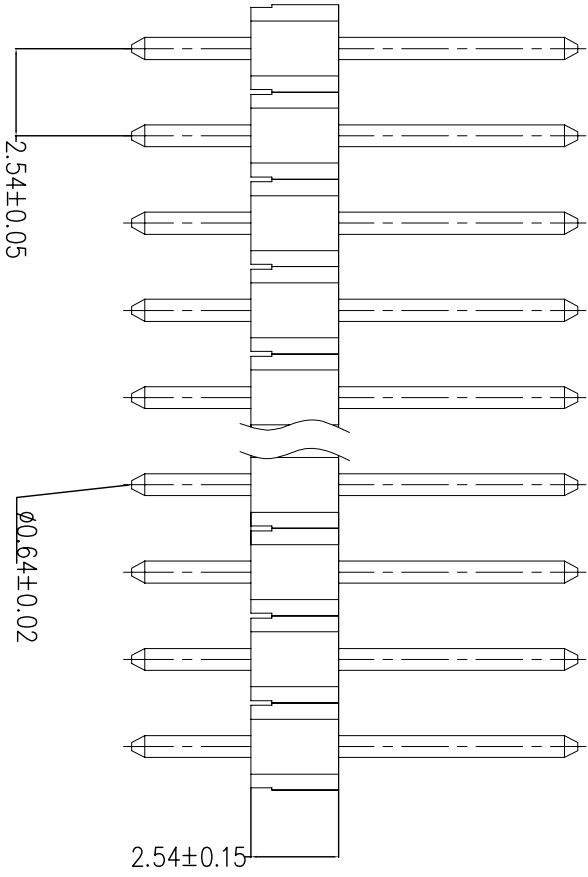
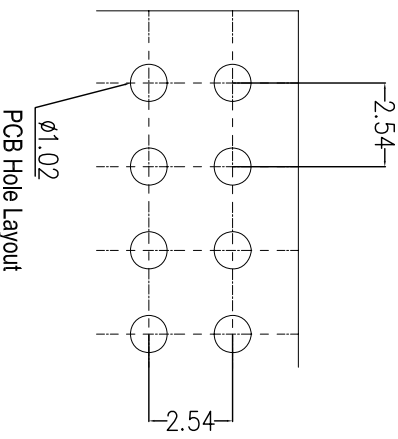
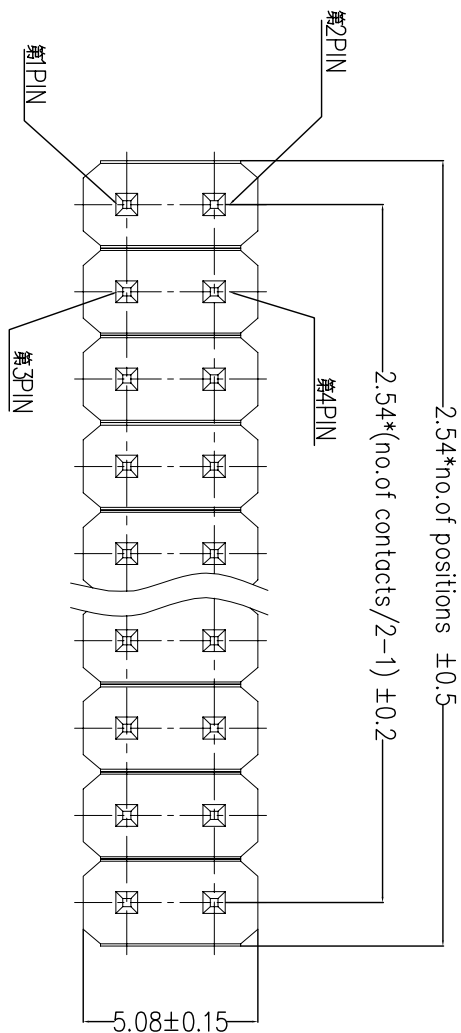


REV.	DESCRIPTION	DATE



**NOTE:**  
**Material:**  
 1. Housing: Polyester, UL94V-0.  
 2. Terminal: Copper alloy. Gold-plated.

**Electrical:**  
 1. Current rating: 3 Amp.  
 2. Insulator resistance: 5000MΩ Min.  
 3. Dielectric withstand: AC 1000 V.  
 4. Temperature: -40°C ~ +105°C

Available pins: 04~80 contacts

<b>TOLERANCE</b> X ± XX XX ± XX XXX ± XX		<b>DRAWER</b> <i>Chiu Chuan Siau</i> <b>CHECK</b> <i>Shi Jeng Siau</i>		<b>日亮電子科技有限公司</b> <i>Sun-light Electronic Technologies Inc.</i>	
UNITS : mm 		<b>DESIGNED</b> <i>Chiu Chuan Siau</i> <b>APPROVAL</b> <i>Shaw Jeng Siau</i>		<b>NAME</b> 2.54mm Pin Header 180° 雙排 Double row	
SCALE FREE		DATE 12 / 10 / 2010		PART NO. P2540-H254-D180-XX	
SIZE A4		SHEET 1 OF 1		DRAW NO. P2540-H254-D180	

# HandsOn Technology

<http://www.handsontec.com>

creativity for tomorrow's better living...

*HandsOn Tech provides a multimedia and interactive platform for everyone interested in electronics. From beginner to diehard, from student to lecturer... Information, education, inspiration and entertainment. Analog and digital; practical and theoretical; software and hardware...*



HandsOn Technology support Open Source Hardware(OSHW) Development Platform.

**Learn : Design : Share**

[www.handsontec.com](http://www.handsontec.com)



[www.handsontec.com](http://www.handsontec.com)



[www.handsontec.com](http://www.handsontec.com)



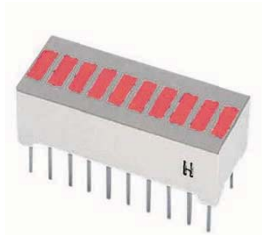
[www.handsontec.com](http://www.handsontec.com)

[www.handsontec.com](http://www.handsontec.com)

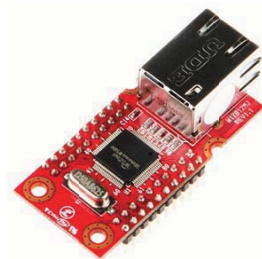
## Welcome to Handsontec Store



LCD+Keyboard Shield



10-Segments LED Bar Display



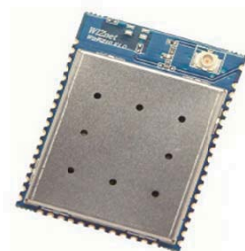
Ethernet Module



Arduino Uno



MicroSD Breakout Board



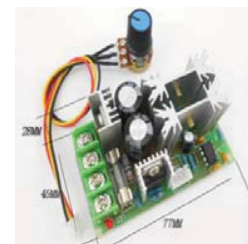
WiFi Module



20x4 LCD Display Module



Stepper Motor Driver



PWM Motor Speed Controller



[www.handsontec.com](http://www.handsontec.com)

Breakout Board & Modules



[www.handsontec.com](http://www.handsontec.com)

Integrated Circuits



[www.handsontec.com](http://www.handsontec.com)

Discrete Parts



[www.handsontec.com](http://www.handsontec.com)

Assembled Kits



[www.handsontec.com](http://www.handsontec.com)

Connectors