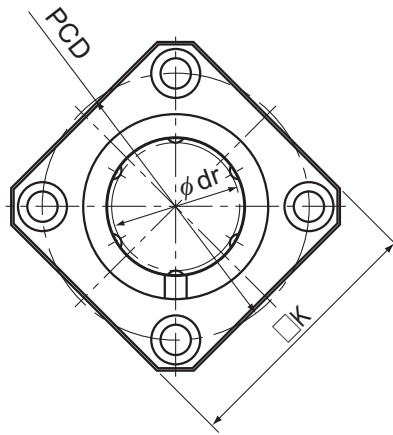


Model LMK-L



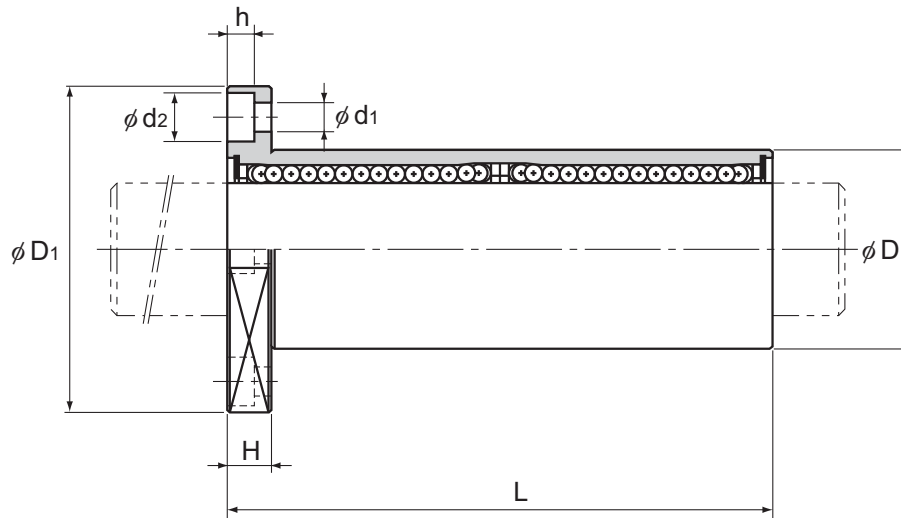
Model LMK-L

Model No.	Ball rows	Main dimensions							
		Inscribed bore diameter		Outer diameter		Length		Flange diameter	
		dr	Tolerance	D	Tolerance	L	Tolerance	D ₁	Tolerance
LMK 6L	4	6	0 -0.010	12	0	35	0 -0.3	28	0 -0.2
LMK 8L	4	8		15	-0.013	45		32	
LMK 10L	4	10		19	0 -0.016	55		39	
LMK 12L	4	12		21		57		42	
LMK 13L	4	13		23	61	43			
LMK 16L	5	16		28	70	48			
LMK 20L	5	20	0 -0.012	32	0 -0.019	80	54		
LMK 25L	6	25		40		112	62		
LMK 30L	6	30	0 -0.015	45	0 -0.022	123	74		
LMK 35L	6	35		52		135	82		
LMK 40L	6	40		60		154	96		
LMK 50L	6	50		80		192	116		
LMK 60L	6	60	0 -0.020	90	0 -0.025	211	134	0 -0.3	

Note) Since this model contains a synthetic resin retainer, do not use it at temperature exceeding 80°C.
If requiring a type equipped with a seal, indicate it when placing an order.

(Example) LMK50L UU

└── Seal attached on both ends of the nut



Unit: mm

	K	H	PCD	Mounting hole $d_1 \times d_2 \times h$	Flange perpendicularity μm	Eccentricity (max) μm	Radial clearance tolerance μm	Basic load rating		Mass g
								C N	C_0 N	
	22	5	20	$3.4 \times 6.5 \times 3.3$	15	15	-5	324	529	26
	25	5	24	$3.4 \times 6.5 \times 3.3$	15	15	-5	431	784	46
	30	6	29	$4.5 \times 8 \times 4.4$	15	15	-5	588	1100	88
	32	6	32	$4.5 \times 8 \times 4.4$	15	15	-5	657	1200	82
	34	6	33	$4.5 \times 8 \times 4.4$	15	15	-7	814	1570	108
	37	6	38	$4.5 \times 8 \times 4.4$	15	15	-7	1230	2350	160
	42	8	43	$5.5 \times 9.2 \times 5.4$	20	20	-9	1400	2750	230
	50	8	51	$5.5 \times 9.2 \times 5.4$	20	20	-9	1560	3140	475
	58	10	60	$6.6 \times 11 \times 6.5$	20	20	-9	2490	5490	575
	64	10	67	$6.6 \times 11 \times 6.5$	25	25	-13	2650	6270	870
	75	13	78	$9 \times 14 \times 8.6$	25	25	-13	3430	8040	1380
	92	13	98	$9 \times 14 \times 8.6$	25	25	-13	6080	15900	3300
	106	18	112	$11 \times 17.5 \times 10.8$	25	25	-13	7650	20000	4060

HandsOn Technology

<http://www.handsontec.com>

creativity for tomorrow's better living...

HandsOn Tech provides a multimedia and interactive platform for everyone interested in electronics. From beginner to diehard, from student to lecturer... Information, education, inspiration and entertainment. Analog and digital; practical and theoretical; software and hardware...



HandsOn Technology support Open Source Hardware(OSHW) Development Platform.

Learn : Design : Share

www.handsontec.com



www.handsontec.com



www.handsontec.com



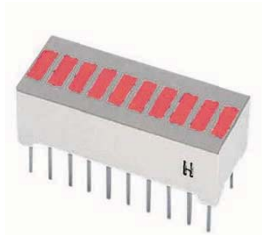
www.handsontec.com

www.handsontec.com

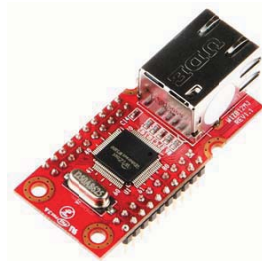
Welcome to Handsontec Store



LCD+Keyboard Shield



10-Segments LED Bar Display



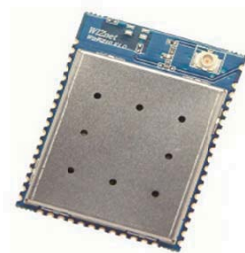
Ethernet Module



Arduino Uno



MicroSD Breakout Board



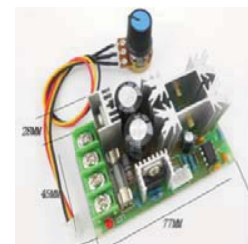
WiFi Module



20x4 LCD Display Module



Stepper Motor Driver



PWM Motor Speed Controller



www.handsontec.com

Breakout Board & Modules



www.handsontec.com

Integrated Circuits



www.handsontec.com

Discrete Parts



www.handsontec.com

Assembled Kits



www.handsontec.com

Connectors